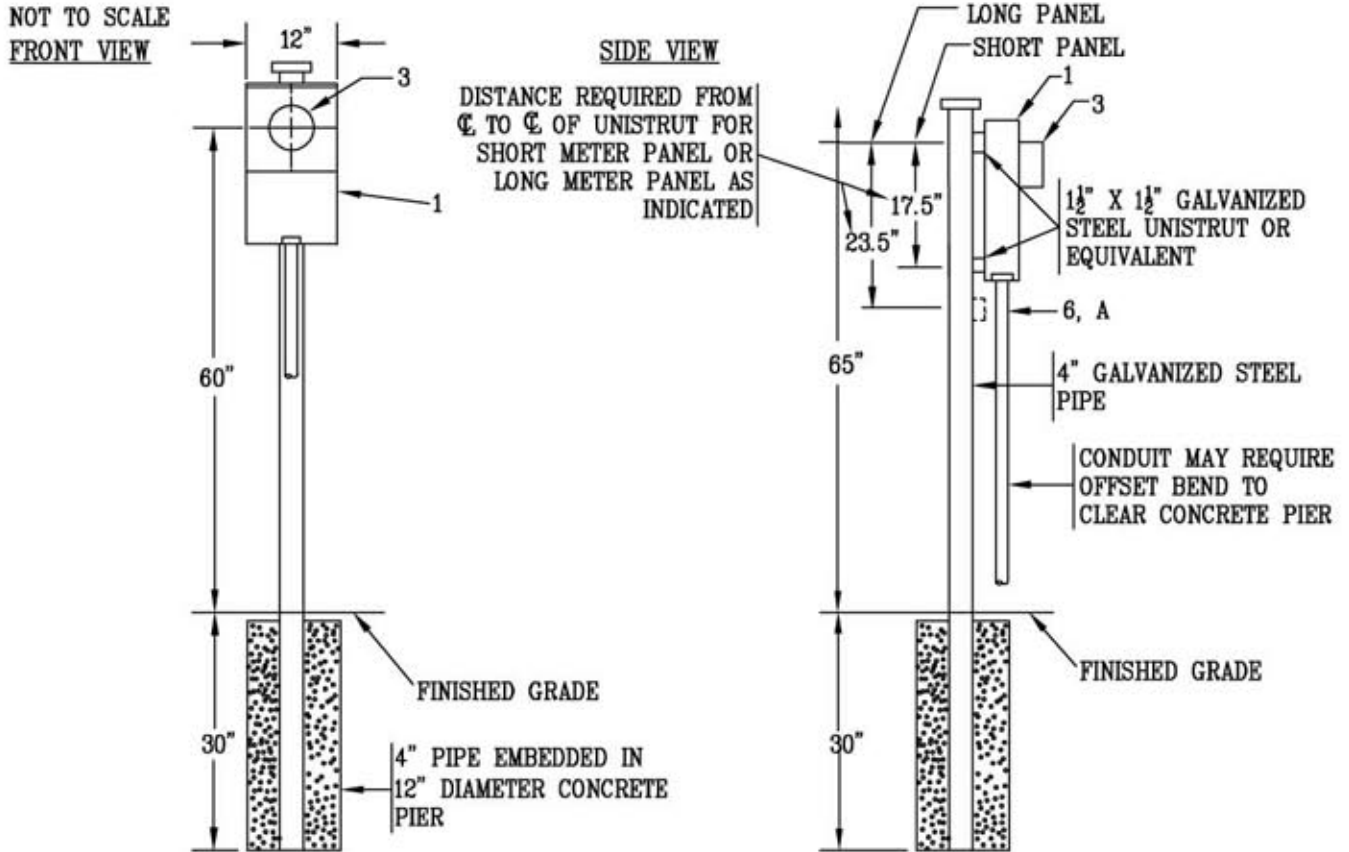


Typical Meter Panel Mounting Arrangement
For Use With Instrument Transformer
Metering

SINGLE METER PANEL ARRANGEMENT



PPL EU FURNISHES, MAINTAINS, CUSTOMER INSTALLS:

- 1. METER PANEL - 12 INCH CLEARANCE REQUIRED ON BOTH SIDES

PPL EU FURNISHES, INSTALLS, MAINTAINS:

- 2. CELL PACK, EXTERNAL ANTENNA (IF REQUIRED), AND MOUNTING
- 3. METER
- 4. RELAYS

CUSTOMER FURNISHES, INSTALLS, MAINTAINS:

- 5. STRUCTURE (UNISTRUT, POLES, CONCRETE, ETC.)
- 6. CONDUIT - SEE NOTE A FOR MORE DETAILS

NOTES:

- A. FOR METERING CONDUIT RUN 50 FEET OR LESS - 1 1/4" MINIMUM GALVANIZED RIGID OR INTERMEDIATE STEEL OR GRAY SCHEDULE 40 PVC CONDUIT AND FITTINGS BETWEEN METER PANEL AND INSTRUMENT TRANSFORMERS.
- B. FOR METERING CONDUIT RUN OVER 50 FEET APPROVAL FROM METERING SUPPORT REQUIRED. SEE RULE 15H FOR MORE DETAIL.
- C. SEE BARRIER SKETCH #20 AS REQUIRED BY PPL EU.

* REFERENCE SKETCH #8C, SKETCH #20

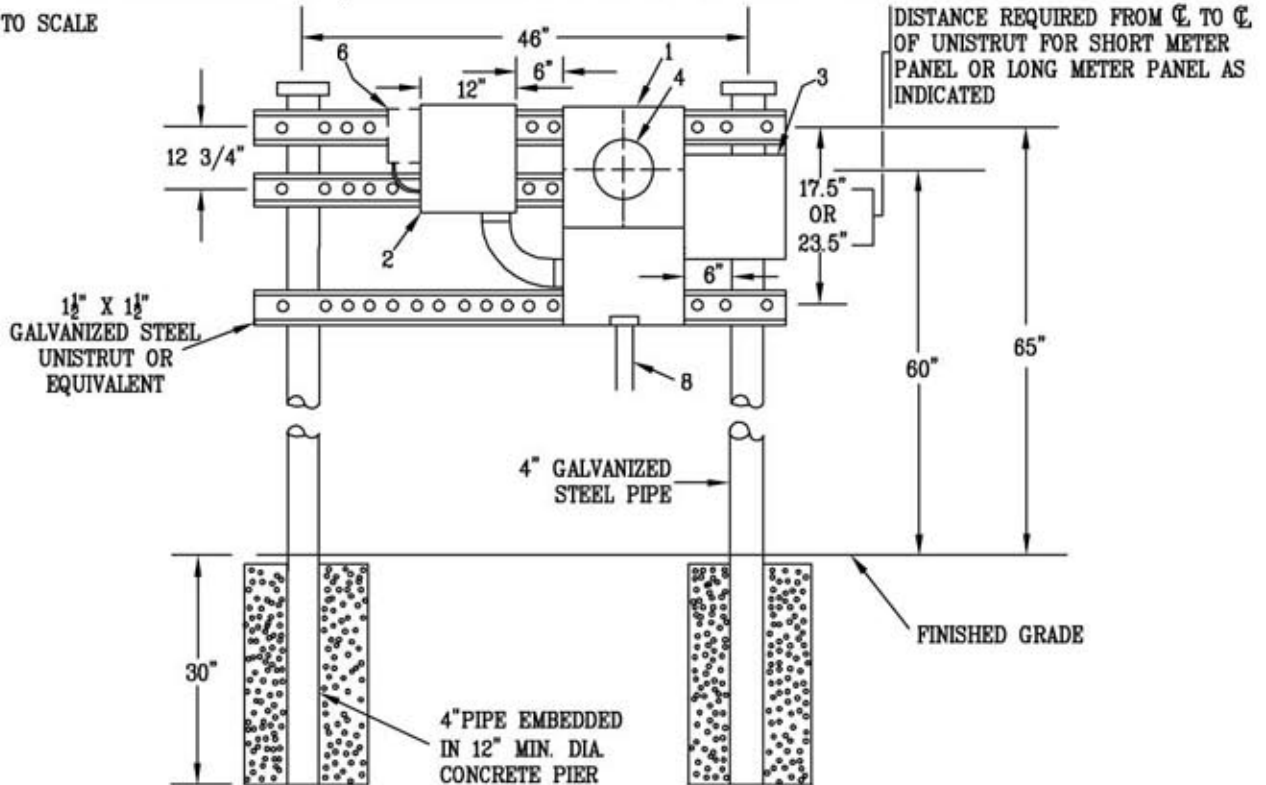
| | |
|---|--|
| <p>RULES FOR ELECTRIC METER AND SERVICE INSTALLATIONS PPL ELECTRIC UTILITIES CORPORATION</p> | <p>Rules: 13, 15, 18</p> <p>Date: 8/12/11 Engr: MDB</p> |
|---|--|

REMSI_S008DP1.dwg

Typical Meter Panel Mounting Arrangement
For Use With Instrument Transformer
Metering

SINGLE METER PANEL W/AUXILIARY BOX & DUAL DEMAND PULSE OUTPUT ARRANGEMENT

NOT TO SCALE



PPL EU FURNISHES, MAINTAINS, CUSTOMER INSTALLS:

1. METER PANEL
2. AUXILIARY BOX

PPL EU FURNISHES, INSTALLS, MAINTAINS:

3. CELL PACK, EXTERNAL ANTENNA (IF REQUIRED), & MOUNTING
4. METER
5. RELAYS
6. DEMAND PULSE BOX (OPTIONAL)

CUSTOMER FURNISHES, INSTALLS, MAINTAINS:

7. STRUCTURE (UNISTRUT, POLES, CONCRETE, ETC.)
8. CONDUIT

NOTES:

- A. FOR METERING CONDUIT RUN 50 FEET OR LESS - 1 1/2" MINIMUM GALVANIZED RIGID OR INTERMEDIATE STEEL OR GRAY SCHEDULE 40 PVC CONDUIT AND FITTINGS BETWEEN METER PANEL AND INSTRUMENT TRANSFORMERS.
- B. FOR METERING CONDUIT RUNS OVER 50 FEET - APPROVAL FROM METERING SUPPORT REQUIRED. SEE RULE 15H FOR MORE DETAIL.
- C. SEE BARRIER SKETCH #20 AS REQUIRED BY PPL EU.

* REFERENCE: SKETCH #8C, SKETCH #20

RULES FOR ELECTRIC METER AND SERVICE
INSTALLATIONS
**PPL ELECTRIC UTILITIES
CORPORATION**

Rules: 13, 15, 18

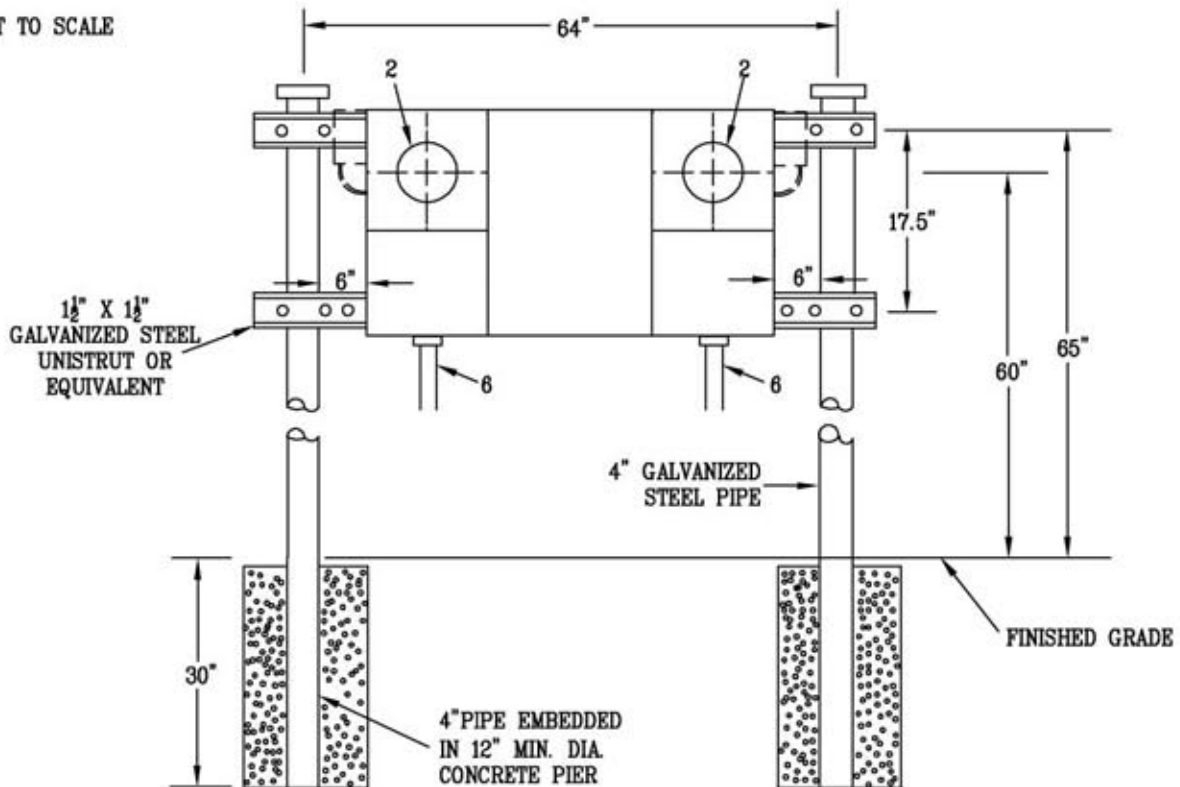
REMSI_S008DP2.dwg

Date: 8/12/11 **Engr:** MDB

Typical Meter Panel Mounting Arrangement
For Use With Instrument Transformer
Metering

DUAL METER PANEL/AUXILIARY BOX COMBO (2 METERS) ARRANGEMENT

NOT TO SCALE



PPL EU FURNISHES, MAINTAINS, CUSTOMER INSTALLS:

1. DUAL METER PANEL/AUXILIARY BOX COMBO

PPL EU FURNISHES, INSTALLS, MAINTAINS:

2. METER
3. RELAYS
4. DEMAND PULSE BOX (OPTIONAL)

CUSTOMER FURNISHES, INSTALLS, MAINTAINS:

5. STRUCTURE (UNISTRUT, POLES, CONCRETE, ETC.)
6. CONDUIT

NOTES:

- A. FOR METERING CONDUIT RUN 50 FEET OR LESS - 1 1/2" MINIMUM GALVANIZED RIGID OR INTERMEDIATE STEEL OR GRAY SCHEDULE 40 PVC CONDUIT AND FITTINGS BETWEEN METER PANEL AND INSTRUMENT TRANSFORMERS.
- B. FOR METERING CONDUIT RUNS OVER 50 FEET - APPROVAL FROM METERING SUPPORT REQUIRED. SEE RULE 15H FOR MORE DETAIL.
- C. SEE BARRIER SKETCH #20 AS REQUIRED BY PPL EU.

* REFERENCE: SKETCH #8C, SKETCH #20

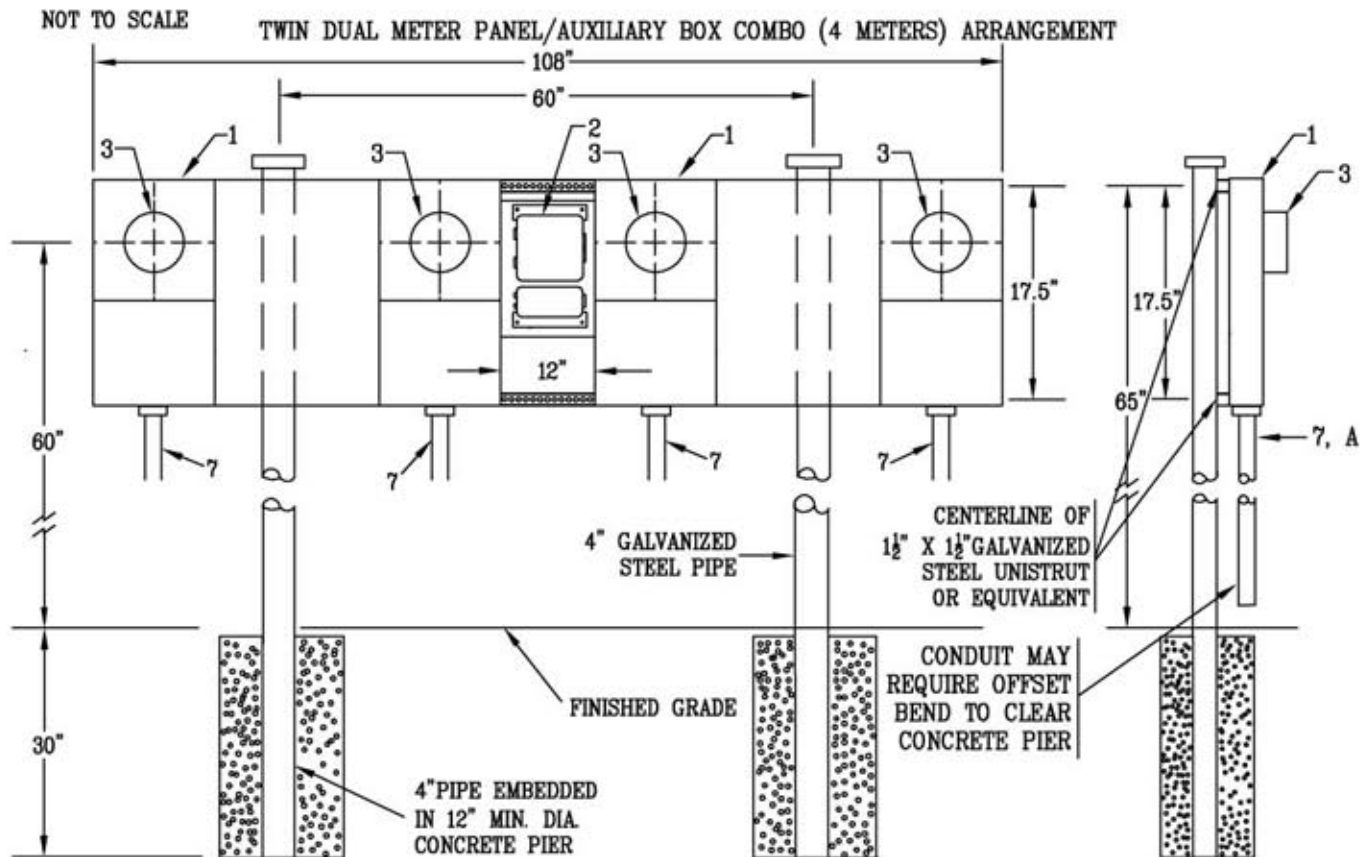
RULES FOR ELECTRIC METER AND SERVICE
INSTALLATIONS
**PPL ELECTRIC UTILITIES
CORPORATION**

Rules: 13, 15, 18

REMSI_S008DP3.dwg

Date: 8/12/11 **Engr:** MDB

Typical Meter Panel Mounting Arrangement
For Use With Instrument Transformer
Metering



PPL EU FURNISHES, MAINTAINS, CUSTOMER INSTALLS:

1. DUAL METER PANEL/AUXILIARY BOX COMBO

PPL EU FURNISHES, INSTALLS, MAINTAINS:

2. CELL PACK, EXTERNAL ANTENNA (IF REQUIRED)
3. METER
4. ANY RELAYS REQUIRED
5. DEMAND PULSE BOX (OPTIONAL)

CUSTOMER FURNISHES, INSTALLS, MAINTAINS:

6. STRUCTURE (UNISTRUT, POLES, CONCRETE, ETC.)
7. CONDUIT

NOTES:

- A. FOR METERING CONDUIT RUN 50 FEET OR LESS - 1 1/2" MINIMUM GALVANIZED RIGID OR INTERMEDIATE STEEL OR GRAY SCHEDULE 40 PVC CONDUIT AND FITTINGS BETWEEN METER PANEL AND INSTRUMENT TRANSFORMERS.
- B. FOR METERING CONDUIT RUNS OVER 50 FEET - APPROVAL FROM METERING SUPPORT REQUIRED. SEE RULE 15H FOR MORE DETAIL.
- C. SEE BARRIER SKETCH #20 AS REQUIRED BY PPL EU.

* REFERENCE: SKETCH #8C, SKETCH #20

RULES FOR ELECTRIC METER AND SERVICE
INSTALLATIONS
**PPL ELECTRIC UTILITIES
CORPORATION**

Rules: 13, 15, 18

REMSL_S008DP4.dwg

Date: 8/12/11 **Engr:** MDB