

# Clearances Between Objects & Electric Meters

SKETCH #55A

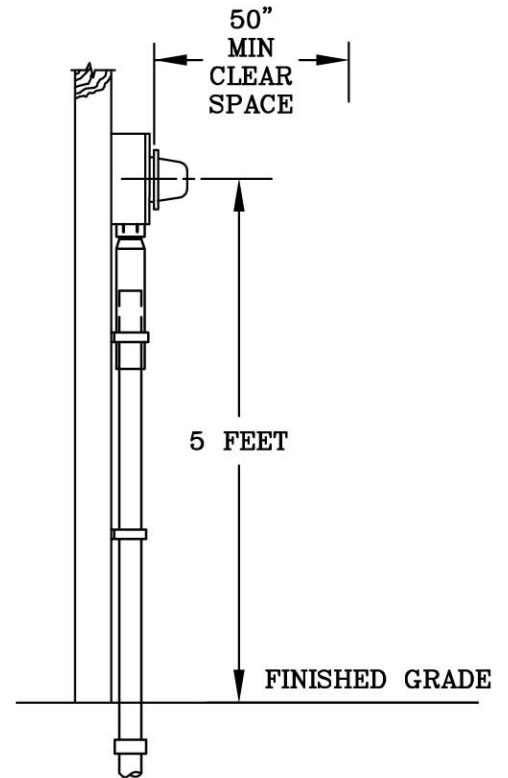
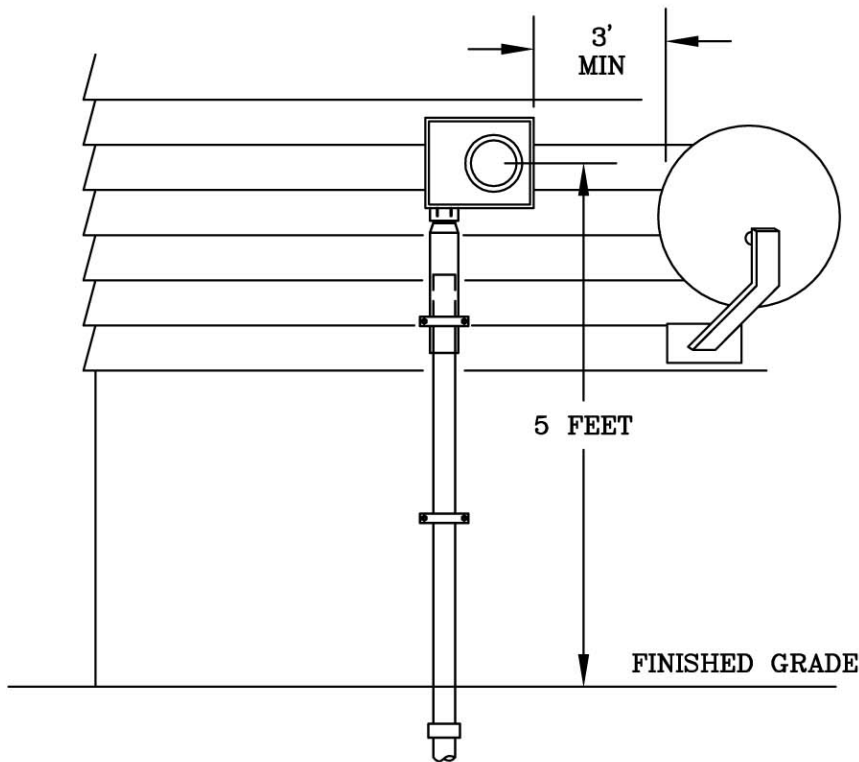
SHEET 1 of 1

SKETCH #55A

SHEET 1 of 1

FRONT VIEW

SIDE VIEW



\*SATELLITE DISH SHOWN AS AN EXAMPLE

NOTES:

- A. PPL EU REQUIRES A MINIMUM OF 3 FEET CLEAR SPACE IN ANY DIRECTION FROM THE METER BASE AND MAINTAIN 50 INCHES OF CLEAR SPACE IN FRONT OF METER BASE.
- B. NO ATTACHMENTS TO SERVICE ENTRANCE/CONDUIT/MAST.
- C. NO GROUNDING TO METER BASE.
- D. SEE SKETCH 7A.
- E. THIS SKETCH IS APPLICABLE FOR SATELLITE DISHES, FENCING, HEDGES, TREES, AND ANY OTHER ABSTRUCTION.
- F. SEE SKETCH 55 FOR CLEARANCES BETWEEN GAS FACILITIES.

\*REFERENCE: SKETCH 7A, SKETCH 55

REMSL\_S055A.dwg

**RULES FOR ELECTRIC METER AND SERVICE  
 INSTALLATIONS**  
**PPL ELECTRIC UTILITIES  
 CORPORATION**

**Rules:**

**Date:** 12/5/08 **Engr:** MDB