

Underground Secondary Service  
to Underground Attachment on Temporary Structure  
for Construction

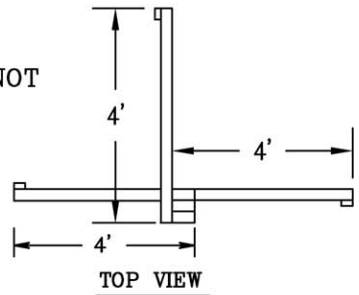
SKETCH #4A  
SHEET 4A

SKETCH #4A  
SHEET 4A

CUSTOMER FURNISHES, INSTALLS, MAINTAINS:

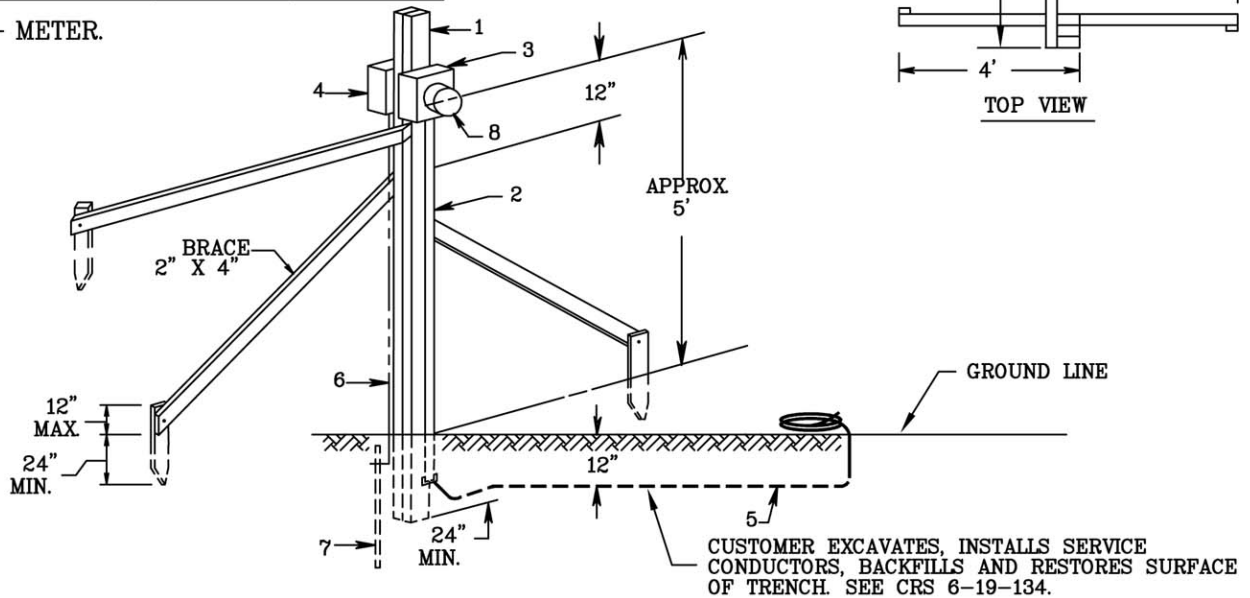
- 1 - STRUCTURE OF TWO 2 INCH BY 4 INCH OR ONE 4 INCH BY 4 INCH TIMBER SET 24 INCHES IN GROUND OF SUFFICIENT HEIGHT TO ALLOW METER BASE TO BE PLACED APPROXIMATELY 5 FEET ABOVE GROUND. STRUCTURE SHOULD BE PLACED AT THE LOCATION DESIGNATED BY PPL. BRACE STRUCTURE IN THREE DIRECTIONS AS SHOWN. THOROUGHLY COMPACT EARTH AROUND TIMBERS.
- 2 - 3 INCH MINIMUM THREADED GALVANIZED RIGID OR INTERMEDIATE STEEL CONDUIT AND BUSHING OR SCHEDULE 40 GRAY PVC CONDUIT EXTENDING 12 INCHES BELOW GRADE.
- 3 - METER BASE OR METER BASE/BREAKER COMBINATION. SEE TABLE 2 - APPROVED METER SERVICE DEVICES.
- 4 - SERVICE DISCONNECT EQUIPMENT IF SEPARATE (MAY BE MOUNTED ON FRONT OR REAR OF STRUCTURE).
- 5 - 3 SERVICE CONDUCTORS IN 3 INCH MINIMUM SUPER CORFLO FLEXIBLE PIPE OR SCHEDULE 40 GRAY PVC INSTALLED AT LEAST 12 INCHES BELOW GRADE AND IN SUFFICIENT LENGTH TO EXTEND 10 FEET BEYOND PPL SOURCE.  
NOTE: PPL WILL MAKE CONNECTION TO SOURCE.
- 6 - SERVICE GROUND.
- 7 - GROUND ROD.

NOTE: TIMBER SHALL NOT BE SPLICED.



PPL FURNISHES, INSTALLS, MAINTAINS:

- 8 - METER.



\*REFERENCE CRS 6-19-134

REMSI\_S004A\_R1.dwg

RULES FOR ELECTRIC METER AND SERVICE  
INSTALLATIONS  
**PPL ELECTRIC UTILITIES  
CORPORATION**

**Rules:** 4

**Date:** 11/04/04 **Engr:** RGR