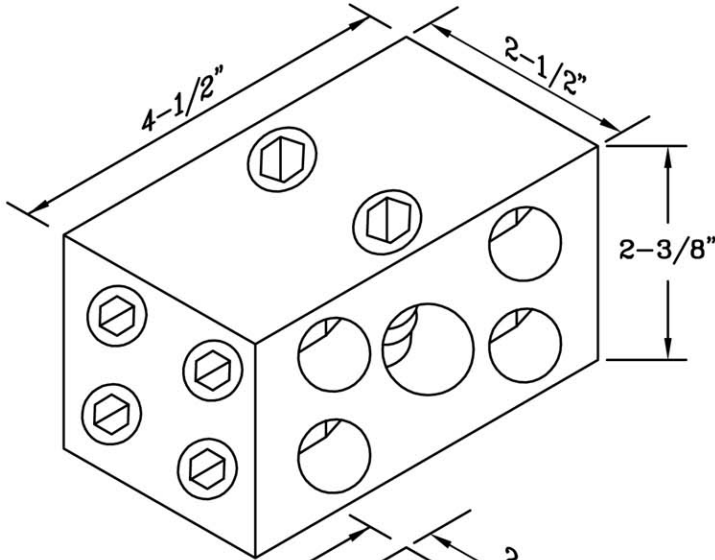
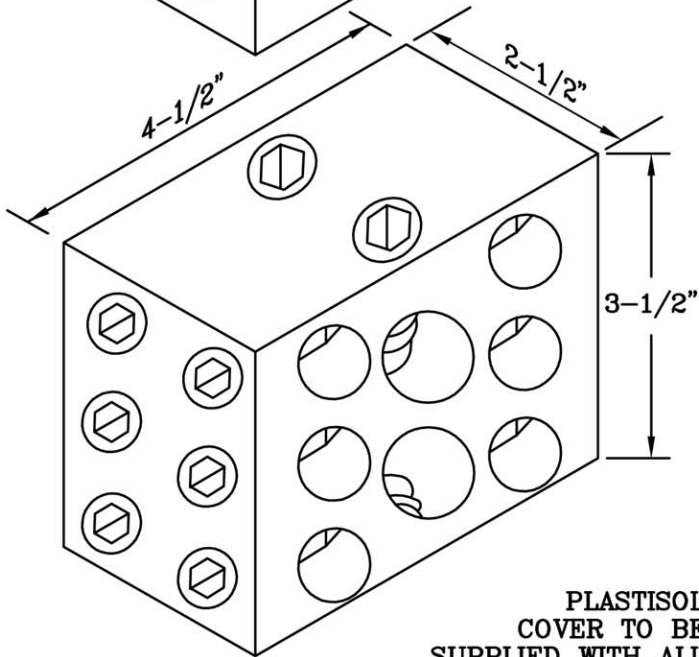


Typical Connector to be Supplied by
the Customer for Providing
a Single Point of Connection
for Multiple Overhead Service Entrance Conductors



SINGLE MAIN 750-1/0
FOUR TAPS 500-2

*UTILCO UGD-41-750-500
*ILSCO UGD-41-750-500



DUAL MAIN 750-1/0
SIX TAPS 500-2

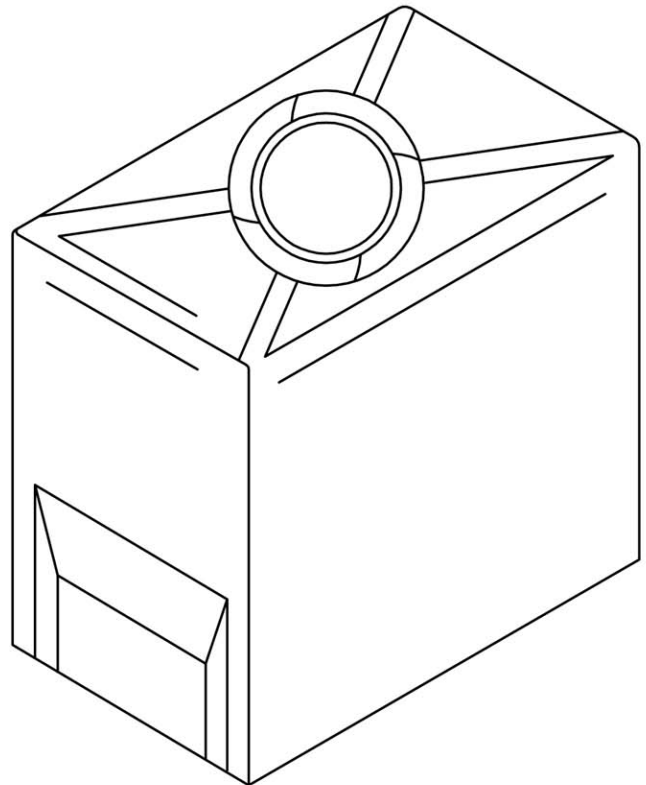
*UTILCO UGD6-750-500
*ILSCO UGD6-750-500
*ALCON 2PA26-750-500

PLASTISOL
COVER TO BE
SUPPLIED WITH ALL
CONNECTORS.

*UTILCO-CMA

NOTES:

1. TYPICAL MANUFACTURER'S NUMBERS ARE SHOWN. EQUIVALENT CONNECTORS FROM OTHER MANUFACTURERS MAY BE USED.
2. FOR SKETCH 8B.
3. ELECTRIC SUPPLY HOUSES MAY NOT STOCK. ALLOW TIME TO ORDER CONNECTORS FROM MANUFACTURER.



RULES FOR ELECTRIC METER AND SERVICE
INSTALLATIONS
**PPL ELECTRIC UTILITIES
CORPORATION**

Rules:

REMSL_S049A_R1.dwg

Date: 2/22/05 Engr: RGR