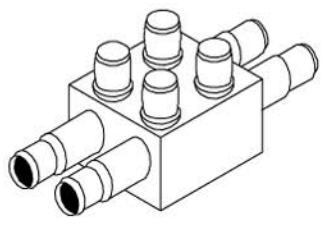


NOT TO SCALE

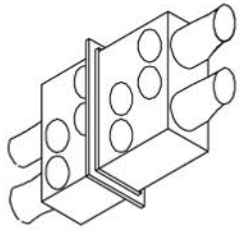
**INSULATED TYPE DISTRIBUTION BLOCK**

**I-1**



NO. OF CNDCT.	CNDCT. RANGE KC MIL
4	750-1/0

**I-2**

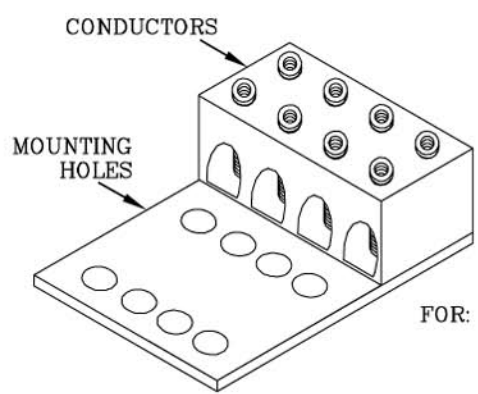


DESCRIPTION	CABLE RANGE KCMIL	INSULATION OUTER DIAMETER	
		MIN.	MAX.
4 POSITION	500-#4	350 KCMIL	1.10 IN.

**BARE TYPE DISTRIBUTION BLOCK**

**B-1**

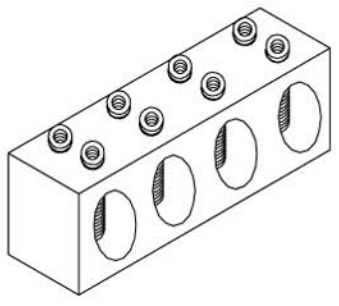
THESE UNITS MAY BE USED FOR UNDERGROUND INSTALLATIONS ONLY WHEN INSULATING BARRIERS ISOLATE THE BARE CONNECTORS FROM OTHER PHASES, NEUTRAL, AND GROUND OR WHEN THE CONNECTORS ARE BOLTED TO A RIGID INSULATOR



FOR: SKETCH 8B  
SKETCH 27  
SKETCH 28  
SKETCH 48

NO. OF MTG. HOLES	NO. OF CNDCT.	CNDCT. RANGE KC MIL
6	4	250-6
6	4	350-6
6	4	500-2
8	4	750-1/0
10	6	750-1/0
8	4	1000-350
12	6	1000-350

**B-2**

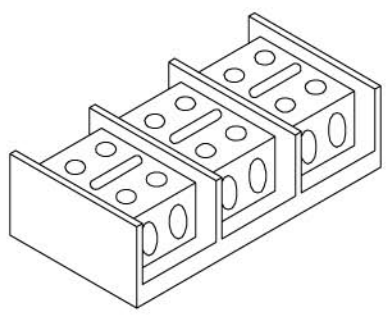


NO. OF CNDCT.	CNDCT. RANGE KC MIL
4	750-1/0
4	1000-350

REFERENCE: SKETCH 8B, SKETCH 27, SKETCH 28, SKETCH 48

NOT TO SCALE

**PRE-ASSEMBLED DISTRIBUTION BLOCK  
WITH INSULATING BARRIERS**



CONNECTOR		PPL EU		CUSTOMER		NO. OF POLES
PPL EU (LINE SIDE)	CUSTOMER (LOAD SIDE)	WIRE RANGE KCMIL	OPENING PER CIRCUIT	WIRE RANGE KCMIL	OPENING PER CIRCUIT	
		350-#4	1	2/0-#12	2	2
		350-#4	1	2/0-#12	2	3
		500-#4	1	350-#4	2	2
		500-#4	1	350-#4	2	3
		1000-250	1	350-#4	2	2
		1000-250	1	500-#4	2	3
		2/0-#12	2	2/0-#12	2	2
		2/0-#12	2	2/0-#12	2	3
		350-#4	2	350-#4	2	2
		350-#4	2	350-#4	2	3
		500-#4	2	500-#4	2	2
		500-#4	2	500-#4	2	3
 		500-#4	2	2/0-#12	6	2
		500-#4	2	2/0-#12	6	3
		350-#4	2	2/0-#12	6	2
		350-#4	2	2/0-#12	6	3
		1000-250	1	2/0-#12	6	2
		1000-250	1	2/0-#12	6	3

**NOTES: (APPLY TO INSULATED, BARE, AND PRE-ASSEMBLED DISTRIBUTION BLOCKS):**

- A. TYPICAL MANUFACTURERS NUMBERS ARE SHOWN. EQUIVALENT CONNECTORS FROM OTHER MANUFACTURERS MAY BE USED.
- B. ELECTRIC SUPPLY HOUSES MAY NOT STOCK. ALLOW TIME TO ORDER CONNECTORS FROM MANUFACTURER.
- C. ONLY ONE CONDUCTOR PER POSITION PERMITTED.
- D. SEE TABLE "APPROVED DISTRIBUTION CONNECTOR BLOCK TABLE FOR SKETCH 49" FOR LISTS OF PPL EU APPROVED MANUFACTURERS.

REFERENCE: SKETCH 8B, SKETCH 27, SKETCH 28, SKETCH 48

RULES FOR ELECTRIC METER AND SERVICE INSTALLATIONS  
**PPL ELECTRIC UTILITIES CORPORATION**

**Rules:** 5  
**Date:** 8/12/11 **Engr:** MDB