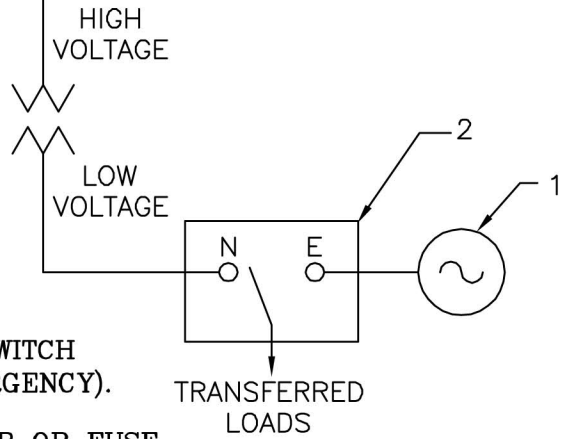
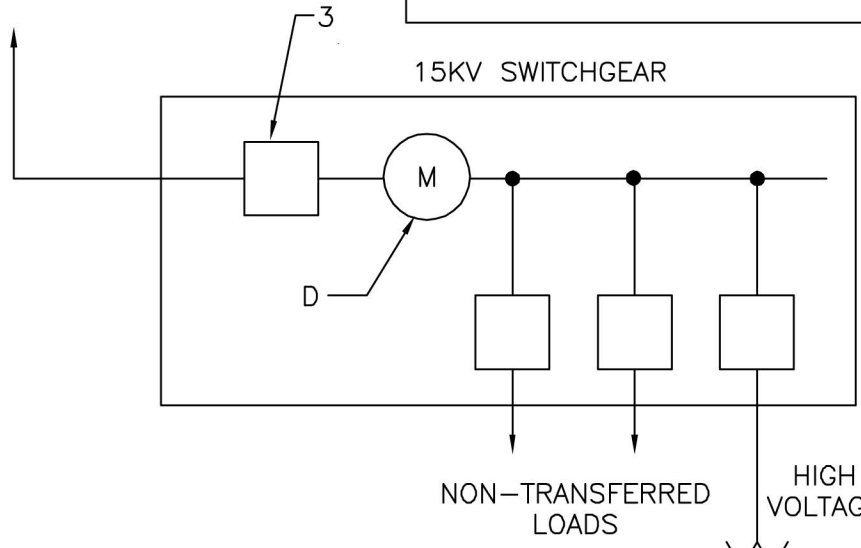


<u>VOLTAGE:</u> 3 Phase, 4 Wire WYE 7,200/12,470V
<u>AMPERAGE:</u> 11 MVA Maximum

<u>SERVICE TYPE:</u> Overhead Underground
<u>METERING EQUIPMENT LOCATION:</u> Indoor Outdoor

PPL EU SERVICE  
(12KV NOMINAL)



CUSTOMER FURNISHES, INSTALLS, MAINTAINS:

1. EMERGENCY STANDBY GENERATOR MAY HAVE INTEGRAL OVERCURRENT PROTECTION.
2. AUTOMATIC TRANSFER SWITCH (BREAK-BEFORE-MAKE) APPROPRIATELY SIZED FOR THE APPLICATION, OPEN TRANSITION. SEE APPROVED AUTOMATIC TRANSFER SWITCH TABLE. (N STANDS FOR NORMAL, E STANDS FOR EMERGENCY).
3. FAULT INTERRUPTING DEVICE CAN BE CIRCUIT BREAKER OR FUSE.

NOTES:

- A. FOR AUTOMATIC TRANSFER SWITCH TYPES NOT ON APPROVED AUTOMATIC TRANSFER SWITCH TABLE, PLEASE CONTACT PPL EU BEFORE PROCEEDING WITH ENGINEERING AND MATERIAL/EQUIPMENT PURCHASE.
- B. INDEPENDENT ELECTRICAL INSPECTION AND WITNESS OF PERFORMANCE TEST OF AUTOMATIC TRANSFER SWITCH OPERATION RECOMMENDED BY PPL EU AND MAY BE REQUIRED BY THE NATIONAL ELECTRICAL CODE OR ANY OTHER APPLICABLE CODE.
- C. PPL EU WILL INSTALL PERMANENT LABELING ON THE METER PANEL (PPL EU CATALOG #1012171) AND PAD MOUNT TRANSFORMER (#1012171) OR POLE MOUNT TRANSFORMER (#1013816) UPON RECEIPT OF INSPECTION.
- D. METERING EQUIPMENT-SEE APPROPRIATE SKETCH FOR SERVICE TYPE AND SIZE TO DETERMINE METERING RESPONSIBILITIES.