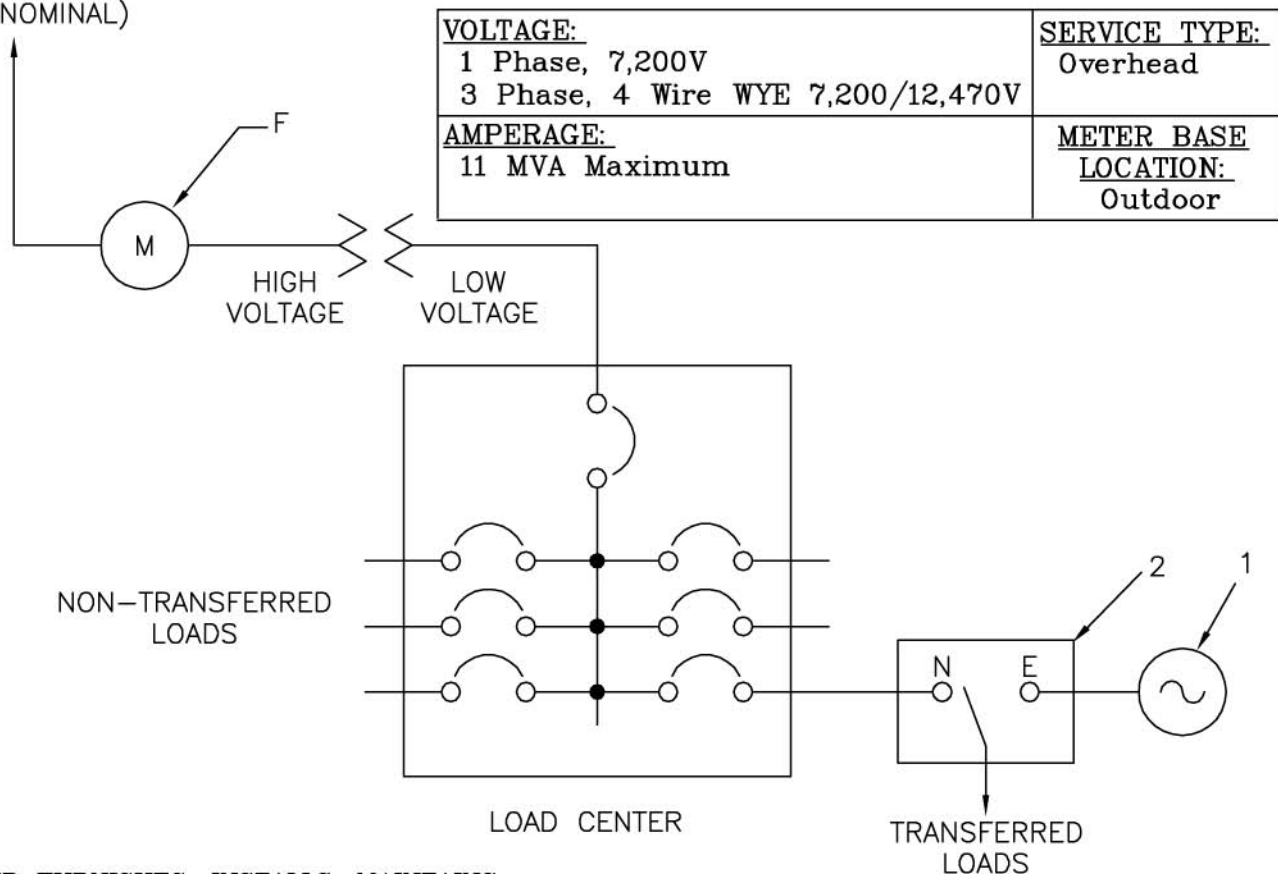


PPL EU SERVICE
(12KV NOMINAL)

GENERATOR FEEDING PARTIAL LOAD



CUSTOMER FURNISHES, INSTALLS, MAINTAINS:

1. EMERGENCY STANDBY GENERATOR MAY HAVE INTEGRAL OVERCURRENT PROTECTION.
2. AUTOMATIC TRANSFER SWITCH (BREAK-BEFORE-MAKE) APPROPRIATELY SIZED FOR THIS APPLICATION, OPEN TRANSITION. SERVICE ENTRANCE RATED, (OR WITH UPSTREAM PROTECTION TO MEET AUTOMATIC TRANSFER SWITCH EQUIPMENT SPECS). SEE APPROVED AUTOMATIC TRANSFER SWITCH TABLE. (N STANDS FOR NORMAL, E STANDS FOR EMERGENCY).

NOTES:

- A. INSTALLATION AND EQUIPMENT MUST ADHERE TO REQUIREMENTS OF THE NATIONAL ELECTRICAL CODE (NEC).
- B. FOR AUTOMATIC TRANSFER SWITCH TYPES NOT ON APPROVED AUTOMATIC TRANSFER SWITCH TABLE BEFORE PROCEEDING WITH ENGINEERING AND MATERIAL/EQUIPMENT PURCHASE.
- C. INDEPENDENT ELECTRICAL INSPECTION AND WITNESS OF PERFORMANCE TEST OF AUTOMATIC TRANSFER SWITCH OPERATION RECOMMENDED BY PPL EU AND MAY BE REQUIRED BY THE NEC OR ANY OTHER APPLICABLE CODE.
- D. SEE REMSI SKETCH #30, SKETCH #31, SKETCH #33, SKETCH #34.
- E. PPL EU WILL INSTALL PERMANENT LABELING ON THE METER PANEL (PPL EU CATALOG #1012171) AND PAD MOUNT TRANSFORMER (#1012171) OR POLE MOUNT TRANSFORMER (#1013816) UPON RECEIPT OF INSPECTION.
- F. METERING EQUIPMENT-SEE APPROPRIATE SKETCH FOR SERVICE TYPE AND SIZE TO DETERMINE METERING RESPONSIBILITIES.

REFERENCE: SKETCH #30, SKETCH #31, SKETCH #33, SKETCH #34

RULES FOR ELECTRIC METER AND SERVICE
INSTALLATIONS

**PPL ELECTRIC UTILITIES
CORPORATION**

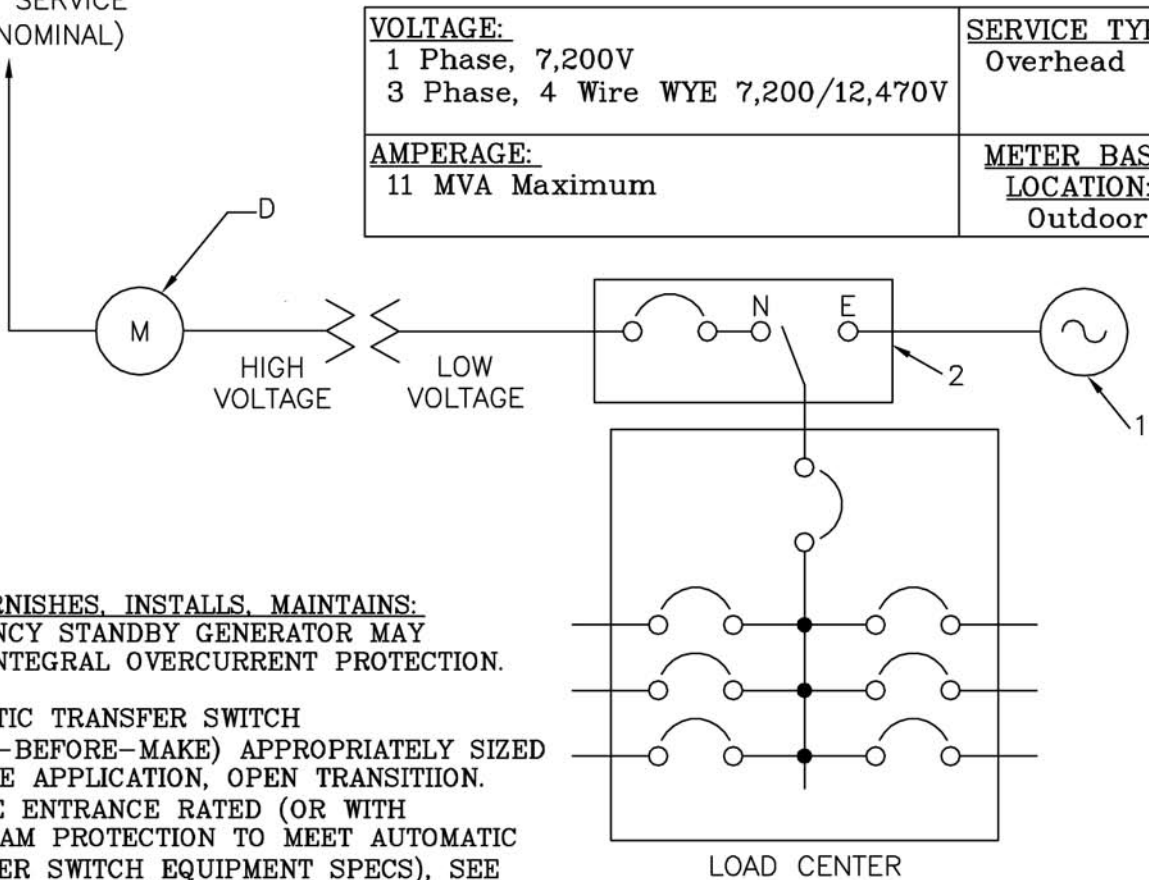
Rules: 12, 26

Date: 7/29/11 **Engr:** MDB

REMSI_S41CP1.dwg

GENERATOR FEEDING FULL LOAD

PPL EU SERVICE
(12KV NOMINAL)



<u>VOLTAGE:</u> 1 Phase, 7,200V 3 Phase, 4 Wire WYE 7,200/12,470V	<u>SERVICE TYPE:</u> Overhead
<u>AMPERAGE:</u> 11 MVA Maximum	<u>METER BASE</u> <u>LOCATION:</u> Outdoor

CUSTOMER FURNISHES, INSTALLS, MAINTAINS:

1. EMERGENCY STANDBY GENERATOR MAY HAVE INTEGRAL OVERCURRENT PROTECTION.
2. AUTOMATIC TRANSFER SWITCH (BREAK-BEFORE-MAKE) APPROPRIATELY SIZED FOR THE APPLICATION, OPEN TRANSITION. SERVICE ENTRANCE RATED (OR WITH UPSTREAM PROTECTION TO MEET AUTOMATIC TRANSFER SWITCH EQUIPMENT SPECS), SEE APPROVED AUTOMATIC TRANSFER SWITCH TABLE. (N STANDS FOR NORMAL, E STANDS FOR EMERGENCY).

NOTES:

- A. INSTALLATION AND EQUIPMENT MUST ADHERE TO REQUIREMENTS OF THE NATIONAL ELECTRIC CODE (NEC).
- B. FOR AUTOMATIC TRANSFER SWITCH TYPES NOT ON APPROVED AUTOMATIC TRANSFER SWITCH TABLE, PLEASE CONTACT PPL EU BEFORE PROCEEDING WITH ENGINEERING AND MATERIAL/EQUIPMENT PURCHASE.
- C. WITNESS OF PERFORMANCE TEST OF AUTOMATIC TRANSFER SWITCH OPERATION RECOMMENDED BY PPL EU AND MAY BE REQUIRED BY THE NEC OR ANY OTHER APPLICABLE CODE.
- D. PPL EU REQUIRES AN INDEPENDENT ELECTRICAL INSPECTION.
- E. SEE SKETCH #30, SKETCH #31, SKETCH #33, SKETCH #34.
- F. PPL EU WILL INSTALL PERMANENT LABELING ON THE METER PANEL (PPL EU CATALOG #1012171) AND PAD MOUNT TRANSFORMER (#1012171) OR POLE MOUNT TRANSFORMER (#1013816) UPON RECEIPT OF INSPECTION.
- G. METERING EQUIPMENT-SEE APPROPRIATE SKETCH FOR SERVICE TYPE AND SIZE TO DETERMINE METERING RESPONSIBILITIES.

REFERENCE: SKETCH #30, SKETCH #31, SKETCH #33, SKETCH #34

RULES FOR ELECTRIC METER AND SERVICE
INSTALLATIONS

**PPL ELECTRIC UTILITIES
CORPORATION**

Rules: 12, 26

REMSI_S41CP2.dwg

Date: 7/29/11 **Engr:** MDB