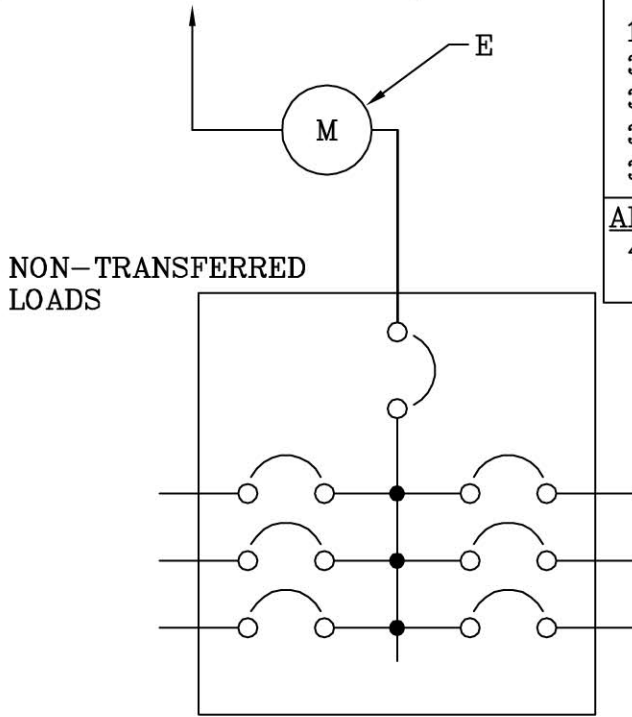


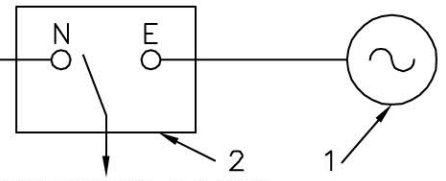
GENERATOR FEEDING PARTIAL LOAD

PPL EU SERVICE
(AT LESS THAN 600 VOLTS)



LOAD CENTER

VOLTAGE:		SERVICE TYPE:
1 Phase, 3 Wire Network 120/208V		Overhead Underground
1 Phase, 3 Wire 120/240V		
3 Phase, 3 Wire Delta 480V		
3 Phase, 4 Wire WYE 120/208V		
3 Phase, 4 Wire Delta 120/240V		
3 Phase, 4 Wire WYE 277/480V		
AMPERAGE:		METER BASE
4000 A Maximum		LOCATION:
		Outdoor



CUSTOMER FURNISHES, INSTALLS, MAINTAINS:

1. EMERGENCY STANDBY GENERATOR MAY HAVE INTEGRAL OVERCURRENT PROTECTION.
2. AUTOMATIC TRANSFER SWITCH (BREAK-BEFORE-MAKE) APPROPRIATELY SIZED FOR THE APPLICATION, OPEN TRANSITION. SEE APPROVED AUTOMATIC TRANSFER SWITCH TABLE. (N STANDS FOR NORMAL, E STANDS FOR EMERGENCY).

NOTES:

- A. INSTALLATION AND EQUIPMENT MUST ADHERE TO REQUIREMENTS OF THE NATIONAL ELECTRICAL CODE (NEC).
- B. FOR AUTOMATIC TRANSFER SWITCH TYPES NOT ON APPROVED AUTOMATIC TRANSFER SWITCH TABLE, PLEASE CONTACT PPL EU BEFORE PROCEEDING WITH ENGINEERING AND MATERIAL/EQUIPMENT PURCHASE.
- C. INDEPENDENT ELECTRICAL INSPECTION AND WITNESS OF PERFORMANCE TEST OF AUTOMATIC TRANSFER SWITCH OPERATION RECOMMENDED BY PPL EU AND MAY BE REQUIRED BY THE NEC OR ANY OTHER APPLICABLE CODE.
- D. PPL EU WILL INSTALL PERMANENT LABELING ON THE METER BASE (PPL EU CATALOG #1012171) AND PADMOUNT TRANSFORMER (#1012171) OR POLE MOUNT TRANSFORMER (#1013816) UPON RECEIPT OF INSPECTION.
- E. METERING EQUIPMENT-SEE APPROPRIATE SKETCH FOR SERVICE TYPE AND SIZE TO DETERMINE METERING RESPONSIBILITIES.

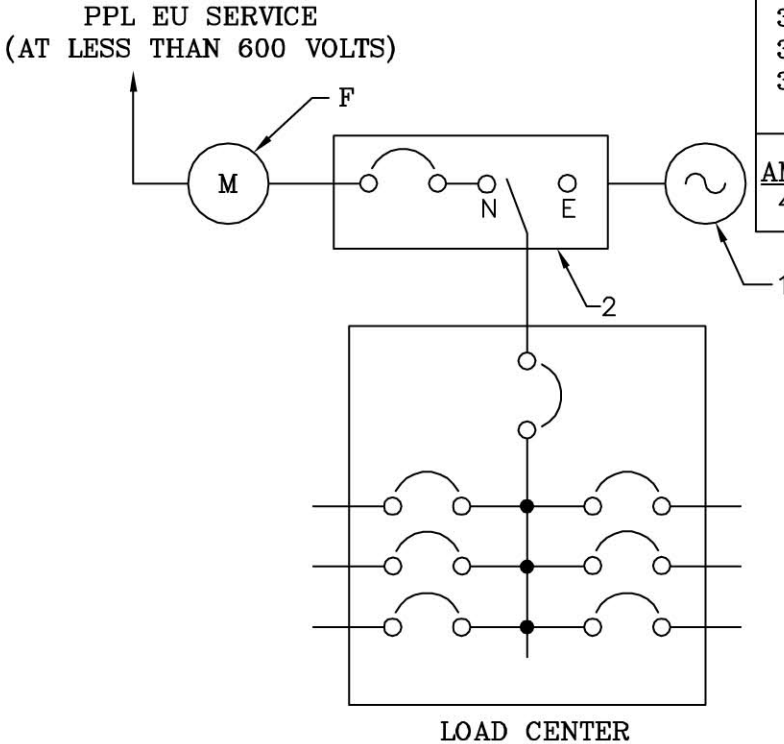
GENERATOR FEEDING FULL LOAD

VOLTAGE:	1 Phase, 3 Wire Network 120/208V 1 Phase, 3 Wire 120/240V 3 Phase, 3 Wire Delta 480V 3 Phase, 4 Wire WYE 120/208V 3 Phase, 4 Wire Delta 120/240V 3 Phase, 4 Wire WYE 277/480V
-----------------	--

SERVICE TYPE:	Overhead Underground
----------------------	-------------------------

AMPERAGE:	4000 A Maximum
------------------	----------------

METER BASE LOCATION:	Outdoor
-----------------------------	---------



CUSTOMER FURNISHES, INSTALLS, MAINTAINS:

1. EMERGENCY STANDBY GENERATOR MAY HAVE INTEGRAL OVERCURRENT PROTECTION
2. AUTOMATIC TRANSFER SWITCH (BREAK-BEFORE-MAKE), APPROPRIATELY SIZED FOR THE APPLICATION, OPEN TRANSITION. SERVICE ENTRANCE RATED (OR WITH UPSTREAM PROTECTION TO MEET AUTOMATIC TRANSFER SWITCH EQUIPMENT SPECS). SEE APPROVED AUTOMATIC TRANSFER SWITCH TABLE. (N STANDS FOR NORMAL, E STANDS FOR EMERGENCY).

NOTES:

- A. INSTALLATION AND EQUIPMENT MUST ADHERE TO REQUIREMENTS OF THE NATIONAL ELECTRICAL CODE (NEC).
- B. FOR AUTOMATIC TRANSFER SWITCH TYPES NOT ON APPROVED AUTOMATIC TRANSFER SWITCH TABLE, PLEASE CONTACT PPL EU BEFORE PROCEEDING WITH ENGINEERING AND MATERIAL/EQUIPMENT PURCHASE.
- C. WITNESS OF PERFORMANCE TEST OF AUTOMATIC TRANSFER SWITCH OPERATION RECOMMENDED BY PPL EU AND MAY BE REQUIRED BY THE NEC OR ANY OTHER APPLICABLE CODE.
- D. PPL EU REQUIRES AN INDEPENDENT ELECTRICAL INSPECTION.
- E. PPL EU WILL INSTALL PERMANENT LABELING ON THE METER BASE (PPL EU CATALOG #1012171) AND PAD MOUNT TRANSFORMER (#1012171) OR POLE MOUNT TRANSFORMER (#1013816) UPON RECEIPT OF INSPECTION.
- F. METERING EQUIPMENT-SEE APPROPRIATE SKETCH FOR SERVICE TYPE AND SIZE TO DETERMINE METERING RESPONSIBILITIES.