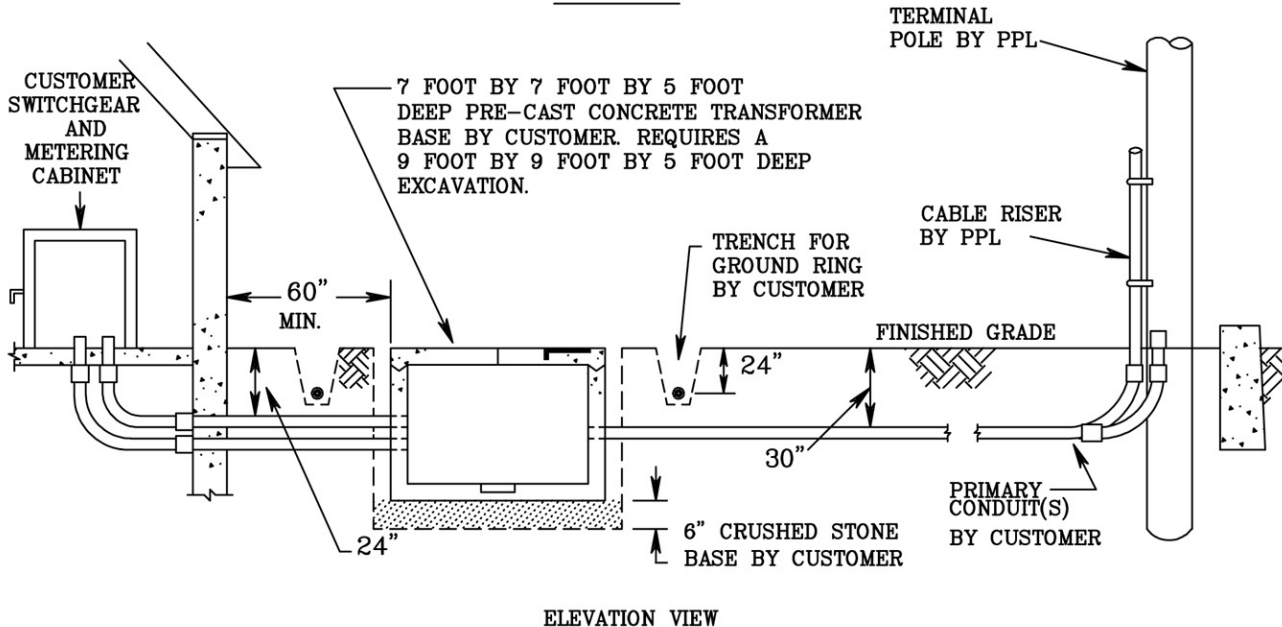
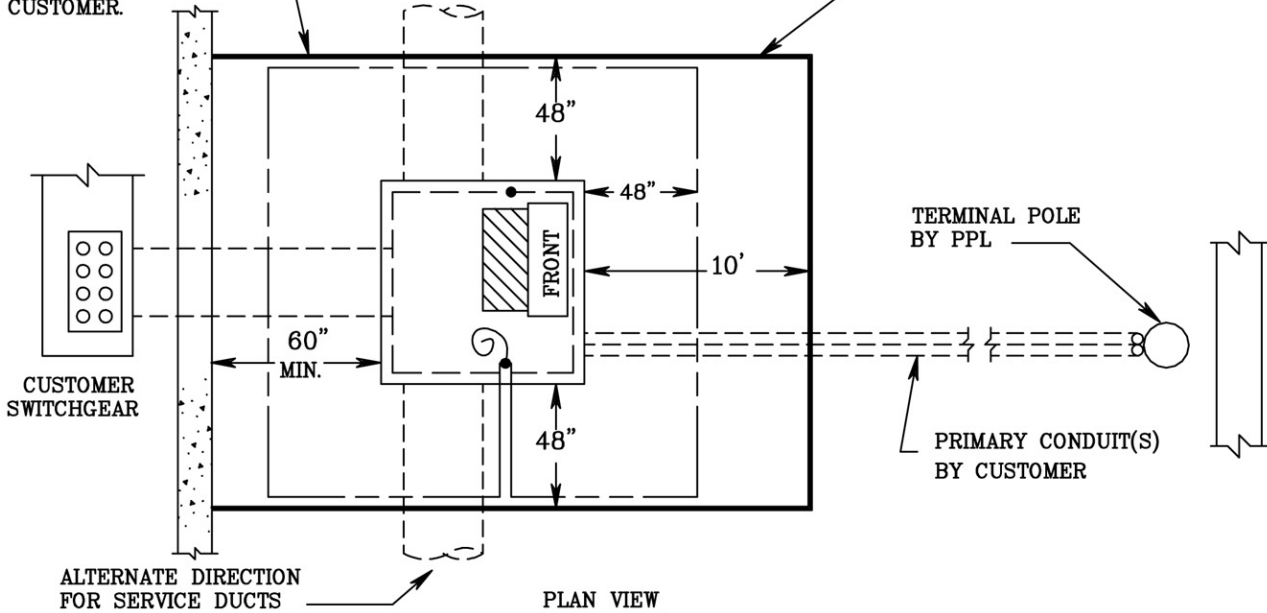


PPL FURNISHES AND
INSTALLS GROUND GRID IN
TRENCH EXCAVATED BY
CUSTOMER.

NO OBSTRUCTIONS
WITHIN THIS AREA



CUSTOMER IS RESPONSIBLE FOR INSTALLING STRUCTURAL FACILITIES AS NOTED ABOVE. THEY SHALL BE INSTALLED IN ACCORDANCE WITH PPL PLANS AND SPECIFICATIONS, SUBJECT TO PPL INSPECTION. UPON COMPLETION, OWNERSHIP OF ALL STRUCTURAL FACILITIES LOCATED OUTSIDE THE BUILDING ON THE SOURCE SIDE OF THE POINT OF DELIVERY SHALL VEST IN PPL. IT IS THE CUSTOMER'S RESPONSIBILITY TO COMPLY WITH THE NATIONAL ELECTRIC CODE, LOCAL MUNICIPAL OR INSURANCE REGULATIONS REGARDING THE LOCATION OF AN OIL FILLED TRANSFORMER.

*REFERENCE CRS 6-17-122 (CRS-1002), CRS 6-19-100