



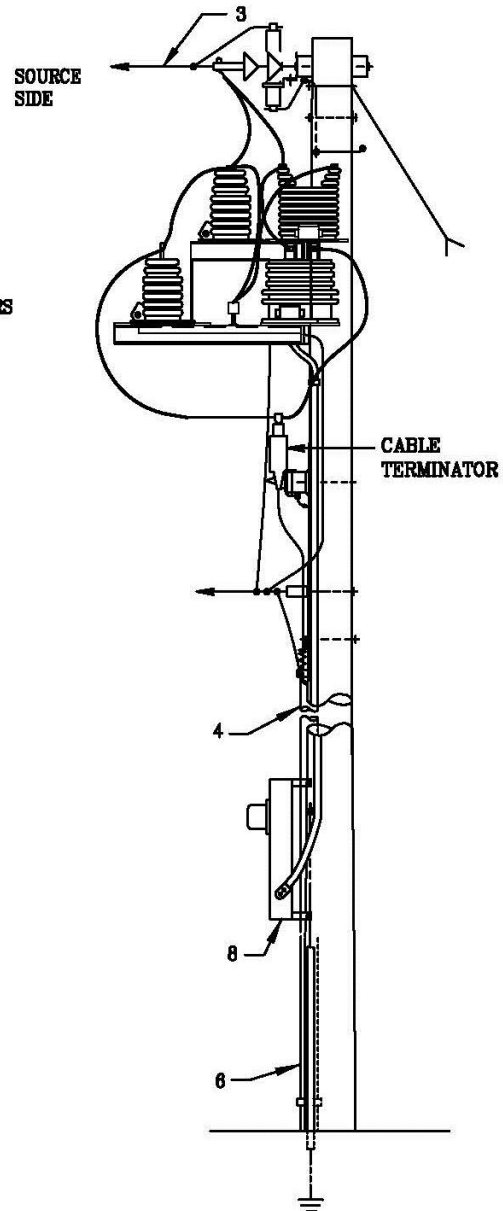
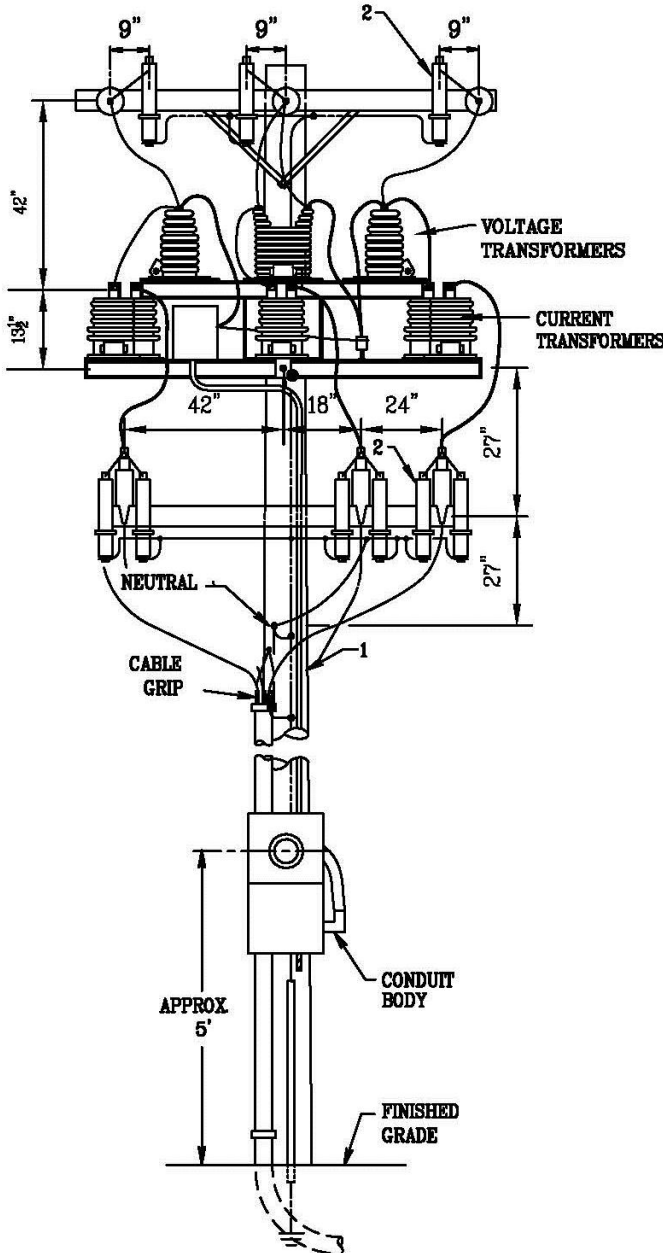
**REMSI Sketches 26-50**  
**Sketch #34**  
**6-51**

0000-000-ST-6051  
 Custom ID: DCS 6-51  
 Revision: 01  
 Effective Date: 09/19/2016  
 Page 20 of 52

**Sketch #34 High voltage service, typical arrangement of three phase outdoor metering equipment on customer-owned pole, termination of customer-owned underground distribution, 15kv or less**

NOT TO SCALE

<b>VOLTAGE:</b> 3 Phase, 4 Wire WYE 7,200/12,470V	<b>SERVICE TYPE:</b> Underground
<b>CUSTOMER LOAD:</b> 4 MVA Maximum	<b>METER BASE LOCATION:</b> Outdoor



\*REFERENCE CRS 6-09-197, SKETCH #30, SKETCH #47

**RULES FOR ELECTRIC METER AND SERVICE INSTALLATIONS**  
**PPL ELECTRIC UTILITIES CORPORATION**

**Rules: 7, 8, 18**

REMSI\_S034.dwg

**Date: 7/18/16 Engr: NAP**



REMSI Sketches 26-50  
Sketch #34  
6-51

0000-000-ST-6051  
Custom ID: DCS 6-51  
Revision: 01  
Effective Date: 09/19/2016  
Page 21 of 52

**Sketch #34 High voltage service, typical arrangement of three phase outdoor metering equipment on customer-owned pole, termination of customer-owned underground distribution, 15kv or less (cont.)**

CUSTOMER FURNISHES, INSTALLS, MAINTAINS:

1. WOOD POLE (CLASS 4 MIN. SEE SKETCH #47), INSULATORS, 15KV CABLE TERMINATION, GUYING, INCIDENTAL WIRING AND GROUNDING SYSTEM.
2. SOURCE AND LOAD SIDE LIGHTNING ARRESTERS.
3. OVERHEAD LINE FROM DISCONNECT ON CUSTOMER - OWNED SERVICE POLE - SEE SKETCH #30. MAXIMUM ALLOWED TENSION PER CONDUCTOR - 2000 LBS.
4. 1-1/4 INCH MINIMUM, THREADED, GALVANIZED, RIGID OR INTERMEDIATE STEEL OR SCHEDULE 40 PVC CONDUIT AND FITTINGS BETWEEN JUNCTION BOX AND METER MOUNTING.
5. 1 INCH FLEXIBLE CONDUIT AND FITTINGS BETWEEN TRANSFORMERS AND 8 INCH BY 8 INCH BY 4 INCH WEATHER TIGHT METAL JUNCTION BOX
6. SERVICE GROUND - SIZED AND PROTECTED PER NEC ARTICLE 250 - GROUNDING.

PPL EU FURNISHES, MAINTAINS: CUSTOMER INSTALLS:

7. INSTRUMENT TRANSFORMERS AND MOUNTING STEEL
8. METER BASE

PPL EU FURNISHES, INSTALLS, MAINTAINS:

9. WIRING BETWEEN INSTRUMENT TRANSFORMERS AND METER MOUNTING.

NOTES:

1. POINT OF CONTACT (POC) IS CONTAINED IN THE PPL EU DOCUMENT "POINT OF CONTACT REQUIREMENTS FOR HIGH VOLTAGE CUSTOMER-OWNED FACILITIES 12KV SUPPLY."

\*REFERENCE CRS 6-09-196, CRS 6-09-197, SKETCH #30, SKETCH #47

<p>RULES FOR ELECTRIC METER AND SERVICE INSTALLATIONS <b>PPL ELECTRIC UTILITIES CORPORATION</b></p>	<p><b>Rules:</b> 7, 8, 18 <b>Date:</b> <u>4/11/16</u> <b>Engr:</b> <u>NAP</u></p> <p style="text-align: right;"><small>REMSI_S034P2.dwg</small></p>
---------------------------------------------------------------------------------------------------------	---------------------------------------------------------------------------------------------------------------------------------------------------------