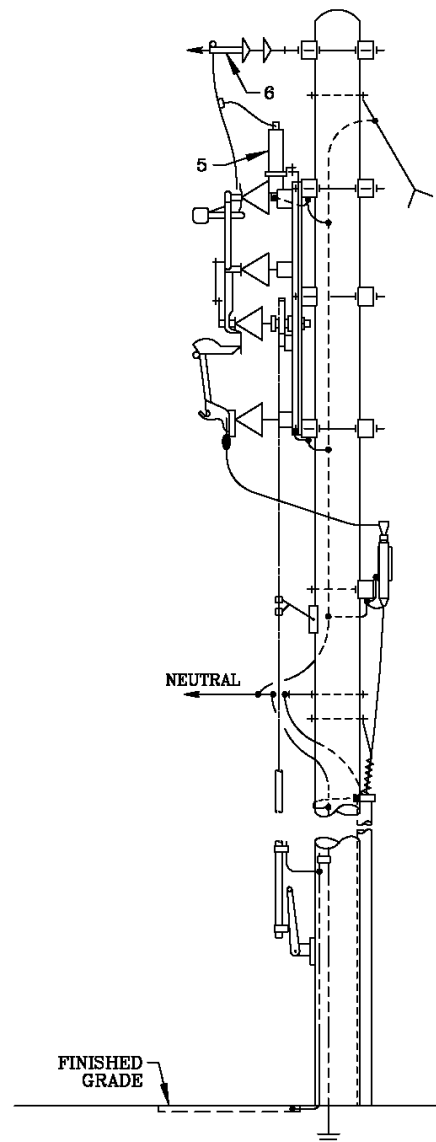
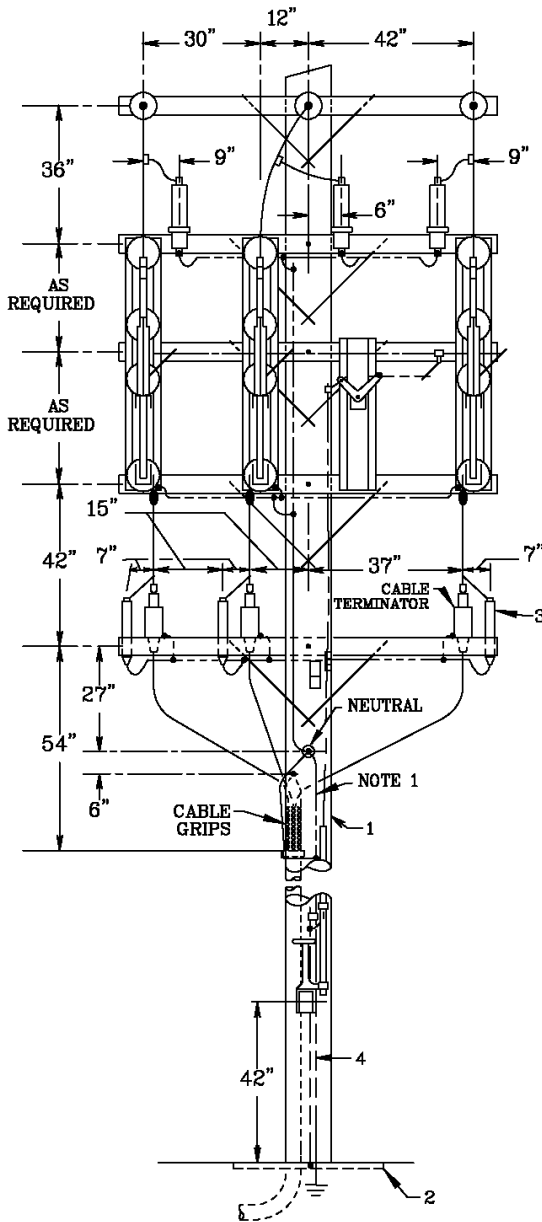


Sketch #31 High voltage service, overhead service drop to customer's service disconnect on customer-owned service pole, termination of customer-owned underground distribution, 15kv or less

NOT TO SCALE

VOLTAGE: 3 Phase, 4 Wire Wye 7,200/12,470V	SERVICE TYPE: Underground
CUSTOMER LOAD: 4 MVA Maximum	



*REFERENCE CRS 6-09-192, LB12669, SKETCH #47

RULES FOR ELECTRIC METER AND SERVICE INSTALLATIONS PPL ELECTRIC UTILITIES CORPORATION	Rules: 7, 8	REMSL_S031.dwg
	Date: 1/12/16 Engr: NAP	



REMSI Sketches 26-50
Sketch #31
6-51

0000-000-ST-6051
Custom ID: DCS 6-51
Revision: 01
Effective Date: 09/19/2016
Page 15 of 52

Sketch #31 High voltage service, overhead service drop to customer's service disconnect on customer-owned service pole termination of customer-owned underground distribution, 15kv or less (cont.)

CUSTOMER FURNISHES, INSTALLS, MAINTAINS:

1. WOOD POLE (CLASS 3 MIN., SEE SKETCH #47), CROSS ARMS, HARDWARE, GUY, 15KV CLASS LOAD INTERRUPTER SWITCH, 15KV CABLE, CABLE TERMINATION, INCIDENTAL EQUIPMENT, WIRING AND GROUNDING SYSTEM.
2. OPERATING PLATFORM AND GROUNDING SYSTEM FOR OPERATING PLATFORM SWITCH OPERATING LEVER, SWITCH BASE AND CONDUIT IN ACCORDANCE WITH PPL EU PRACTICE.
3. LOAD SIDE LIGHTNING ARRESTERS.
4. SERVICE GROUND - #2 MINIMUM BARE COPPER GROUND WIRE COVERED WITH MOLDING FULL LENGTH OR #2 MINIMUM HDPE COVERED COPPER GROUND WIRE WITHOUT MOULDING.

PPL EU FURNISHES, MAINTAINS: CUSTOMER INSTALLS:

5. LINE SIDE LIGHTNING ARRESTERS.

PPL EU FURNISHES, INSTALLS, MAINTAINS:

6. LINE SIDE DEAD END INSULATOR ASSEMBLY AND CONNECTS SERVICE WIRES TO LINE SIDE TERMINALS OF CUSTOMER'S DISCONNECT. MAXIMUM TENSION PER CONDUCTOR - 2000 LBS.

NOTES:

1. PPL EU CONNECTS GROUND LEAD TO NEUTRAL.
2. PPL EU SPECIFIES TYPE AND LOCATION OF METERING EQUIPMENT FOR EACH LOCATION. (NOT SHOWN)
3. POINT OF CONTACT (POC) IS CONTAINED IN THE PPL EU DOCUMENT "POINT OF CONTACT REQUIREMENTS FOR HIGH VOLTAGE CUSTOMER-OWNED FACILITIES 12KV SUPPLY."

*REFERENCE CRS 6-09-192, LB12669, SKETCH #47

<p>RULES FOR ELECTRIC METER AND SERVICE INSTALLATIONS</p> <p>PPL ELECTRIC UTILITIES CORPORATION</p>	<p>Rules: 7, 8</p> <p>Date: <u>1/12/16</u> Engr: <u>NAP</u></p> <p style="text-align: right;">REMSI_S031P2.dwg</p>
--	---