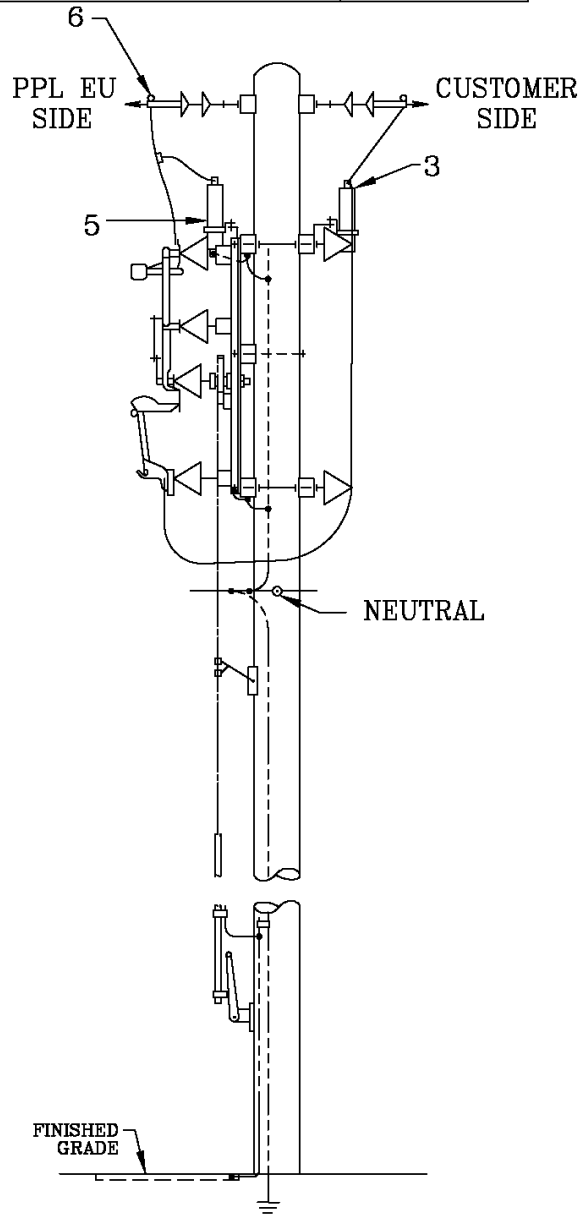
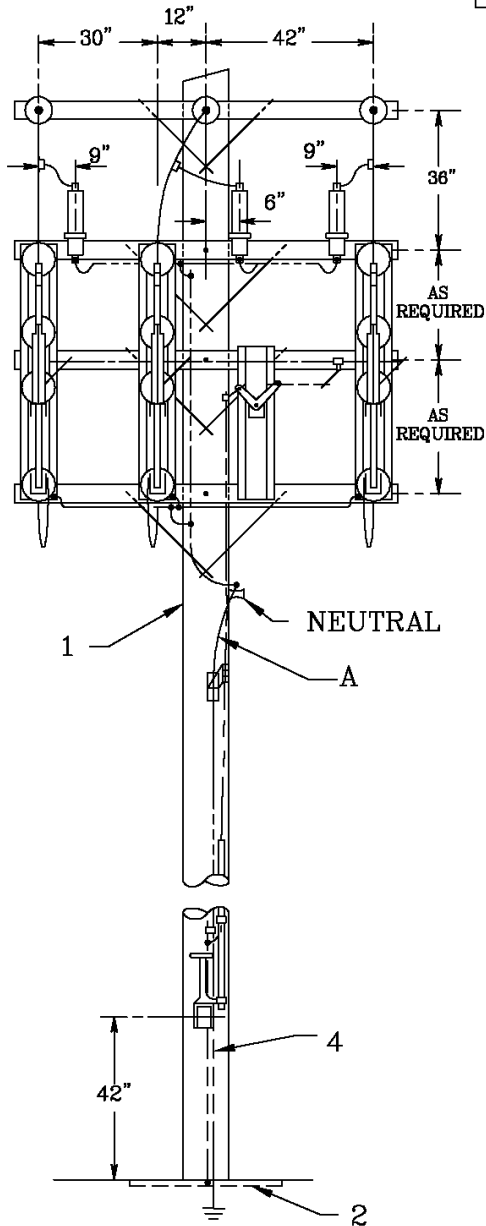


Sketch #30 High voltage service, overhead service drop to customers service disconnect on customer-owned service pole, termination of customer-owned overhead distribution, 15kv or less

NOT TO SCALE

<u>VOLTAGE:</u> 3 Phase, 4 Wire Wye 7,200/12,470V	<u>SERVICE TYPE:</u> Overhead
<u>CUSTOMER LOAD:</u> 4 MVA Maximum	



RULES FOR ELECTRIC METER AND SERVICE INSTALLATIONS
PPL ELECTRIC UTILITIES CORPORATION

Rules: 7
Date: 3/22/16 **Engr:** NAP
*REFERENCE CRS 6-9-194, LB-12669
 REMSI_S030P1.dwg



REMSI Sketches 26-50
Sketch #30
6-51

0000-000-ST-6051
Custom ID: DCS 6-51
Revision: 01
Effective Date: 09/19/2016
Page 13 of 52

Sketch #30 High voltage service, overhead service drop to customers service disconnect on customer-owned service pole, termination of customer-owned overhead distribution, 15kv or less (cont.)

CUSTOMER FURNISHES, INSTALLS, MAINTAINS:

1. WOOD POLE (CLASS 3 MIN., SEE SKETCH 47), CROSS ARMS, HARDWARE, 15KV CLASS LOAD INTERRUPTER SWITCH, INCIDENTAL EQUIPMENT, WIRING AND GROUNDING SYSTEM.
2. OPERATING PLATFORM AND GROUNDING SYSTEM FOR OPERATING PLATFORM, SWITCH OPERATING LEVER AND SWITCH BASE.
3. LOAD SIDE LIGHTNING ARRESTERS.
4. SERVICE GROUND – #2 MINIMUM BARE COPPER GROUND WIRE COVERED WITH MOLDING FULL LENGTH OR #2 MINIMUM HDPE COVERED COPPER GROUND WIRE WITHOUT MOLDING.

PPL EU FURNISHES, MAINTAINS; CUSTOMER INSTALLS:

5. LINE SIDE LIGHTNING ARRESTERS.

PPL EU FURNISHES, INSTALLS, MAINTAINS:

6. LINE SIDE DEAD END INSULATOR ASSEMBLY AND CONNECTS SERVICE WIRES TO LINE SIDE TERMINALS OF CUSTOMER'S DISCONNECT. MAXIMUM TENSION PER CONDUCTOR – 2000 LBS.

NOTES:

1. PPL EU CONNECTS GROUND LEAD TO NEUTRAL.
2. PPL EU SPECIFIES TYPE AND LOCATION OF METERING EQUIPMENT FOR EACH LOCATION.
(NOT SHOWN)
3. POINT OF CONTACT (POC) IS CONTAINED IN THE PPL EU DOCUMENT "POINT OF CONTACT REQUIREMENTS FOR HIGH VOLTAGE CUSTOMER-OWNED FACILITIES. 12KV SUPPLY"

*REFERENCE CRS 6-9-194, LB-12669

<p>RULES FOR ELECTRIC METER AND SERVICE INSTALLATIONS</p> <p>PPL ELECTRIC UTILITIES CORPORATION</p>	<p>Rules: 7</p> <p>Date: <u>3/22/16</u> Engr: <u>NAP</u></p> <p style="text-align: right;"><small>REMSL_S030P2.dwg</small></p>
--	---