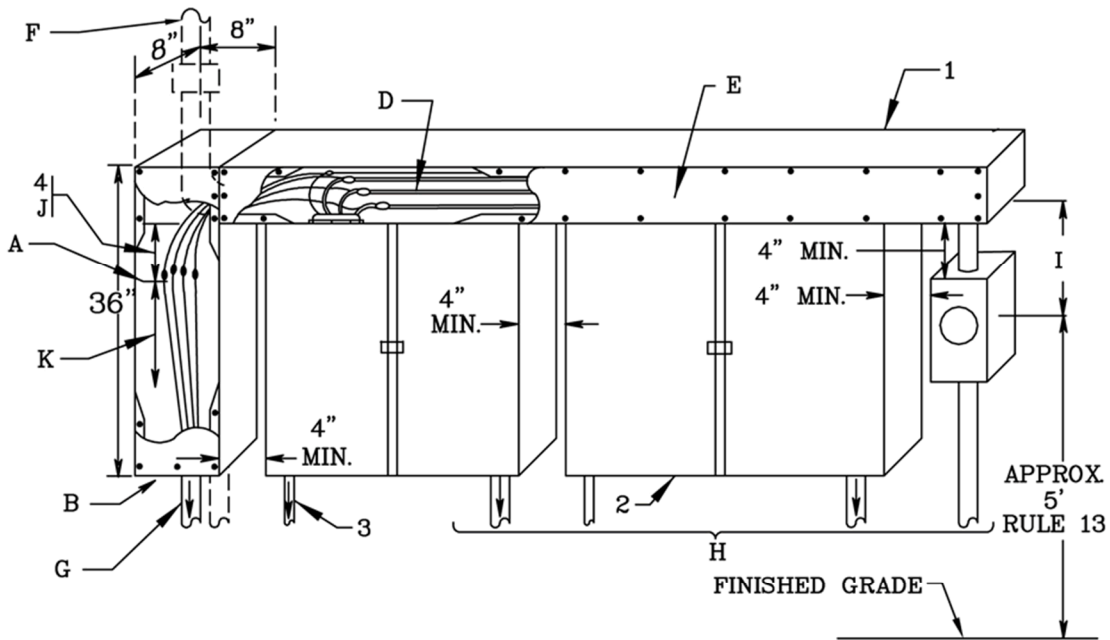


**Sketch #28 Overhead or underground secondary service, indoor multi-meter installation for common service with instrument transformer cabinets and / or meter base**

NOT TO SCALE

<u>VOLTAGE:</u> 1 Phase, 3 Wire 120/208V 1 Phase, 3 Wire 120/240V 3 Phase, 4 Wire Wye 120/208V 3 Phase, 4 Wire Delta 120/240V	<u>SERVICE TYPE:</u> Overhead Underground
<u>AMPERAGE:</u> **800 A Maximum *1200 A Maximum	<u>CABINET LOCATION:</u> Indoor Outdoor



**CUSTOMER FURNISHES, INSTALLS, MAINTAINS:**

1. SERVICE ENTRANCE, HORIZONTAL AND VERTICAL SEALABLE WIRE BASE, INSTRUMENT TRANSFORMER CABINETS AND INDIVIDUAL METER BASE. SEE RULE 16.
2. SEALABLE METAL CABINET, MINIMUM SIZE 48" X 48" X 12" AND INSTALLS INSTRUMENT TRANSFORMERS AND METER MOUNTINGS FURNISHED BY PPL EU, RULE 15. SEE SKETCH #14 FOR DETAILS OF ARRANGEMENT OF INSTRUMENT TRANSFORMERS.
3. 1-1/4 INCH MINIMUM, THREADED, GALVANIZED, RIGID, OR INTERMEDIATE STEEL OR SCHEDULE 40 PVC CONDUIT AND FITTINGS BETWEEN INSTRUMENT TRANSFORMER CABINET AND METER MOUNTING. PPL EU FURNISHES AND INSTALLS WIRING BETWEEN INSTRUMENT TRANSFORMERS AND METER.
4. ALLOW 18 INCHES MINIMUM LENGTH OF CABLE IN BASE.

\*REFERENCE CRS 6-19-134, SKETCH #14 SKETCH #48, SKETCH #49, SKETCH #54 & SKETCH #54A

RULES FOR ELECTRIC METER AND SERVICE INSTALLATIONS <b>PPL ELECTRIC UTILITIES CORPORATION</b>	<b>Rules:</b> 2, 5, 12, 13, 16, 21 <small>REMSL_S028P1.dwg</small>
	<b>Date:</b> 10/11/12 <b>Engr:</b> JPM



REMSI Sketches 26-50  
Sketch #28  
6-51

0000-000-ST-6051  
Custom ID: DCS 6-51  
Revision: 01  
Effective Date: 09/19/2016  
Page 7 of 52

**Sketch #28 Overhead or underground secondary service, Indoor multi-meter installation for common service with instrument transformer cabinets and / or meter base (cont.)**

**NOTES:**

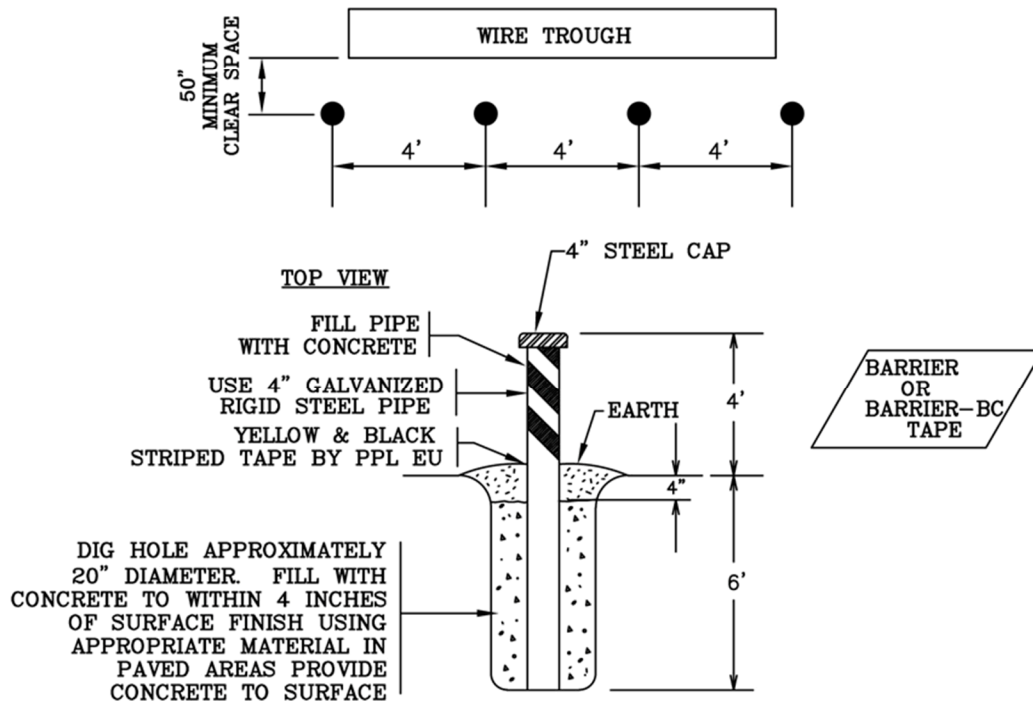
- A. POINT OF SERVICE. PPL EU MAKES CONNECTION BETWEEN SERVICE LATERAL CABLES AND CUSTOMER SERVICE ENTRANCE CABLES. SEE SKETCH #48 AND SKETCH #49 FOR MULTIPLE SERVICE ENTRANCE CONDUCTORS.
- B. VERTICAL SEALABLE WIRE TROUGH SHALL OPEN ON FRONT.
- C. SUB-SERVICE FROM A COMMON 3 PHASE, 4 WIRE, 208 VOLT SERVICE SHALL BE BALANCED (NOT SHOWN). SEE RULE 2.
- D. IDENTIFY THE HIGHEST VOLTAGE TO GROUND CONDUCTOR OF 3 PHASE, 4 WIRE, DELTA CONNECTED SERVICE. SEE RULE 5.
- E. CUSTOMER SHALL MAKE ALL SUB-SERVICE TAPS TO INDIVIDUAL METER BASES FROM CUSTOMER'S BUS IN HORIZONTAL WIRE BASE. SEE RULE 16. METERED CONDUCTORS SHALL NOT BE INSTALLED IN THIS WIRE BASE. SEE RULE 12.
- F. SERVICE ENTRANCE CONDUIT OR CABLE FOR OVERHEAD SERVICE. RULES 5 AND 16.
- G. UNDERGROUND SERVICE ENTRANCE CABLE OR 3 INCH RIGID CONDUIT. RULES 5 AND 16.
- H. SUB-SERVICES TO INDIVIDUAL CUSTOMER'S SERVICE DISCONNECTING EQUIPMENT. SEE RULE 21.
- I. SPACE TO SUIT.
- J. CUSTOMER RESPONSIBILITY
- K. PPL EU RESPONSIBILITY
- L. SKETCH DIMENSIONS ARE FOR ONE SET OF 3 OR ONE SET OF 4 #1/0, #4/0, OR 350 KCMIL ALUMINUM XLP CABLE.
- M. FOR ALL SETS OF 500 AND 750 KCMIL CABLE, CUSTOMER FURNISHES, INSTALLS, MAINTAINS SEALABLE METAL CABINET PER SKETCH #54 AND SKETCH #54A.
- N. OUTDOOR - THE WIRE TROUGH MUST BE ABOVE THE METERING EQUIPMENT. PPL EU MAY REQUIRED CUSTOMER TO INSTALL BARRIERS TO PROTECT METERING FROM VEHICULAR TRAFFIC. IF REQUIRED SEE SKETCH 28 SHEET 3.
- O. INDOOR- THE WIRE TROUGH CAN BE LOCATED ABOVE OR BELOW THE METERING EQUIPMENT. BARRIERS ARE NOT REQUIRED INDOORS. 50" OF CLEAR SPACE IS REQUIRED IN FRONT OF EQUIPMENT.

\*REFERENCE CRS 6-19-134, SKETCH #14, SKETCH #48, SKETCH #49, SHETCH #54 & SKETCH #54A

<p>RULES FOR ELECTRIC METER AND SERVICE INSTALLATIONS <b>PPL ELECTRIC UTILITIES CORPORATION</b></p>	<p><b>Rules:</b> 2, 5, 12, 13, 16, 21 <small>REMSL_S028P2.dwg</small> <b>Date:</b> <u>10/11/12</u> <b>Engr:</b> <u>JPM</u></p>
---	--

**Sketch #28 Overhead or underground secondary service, Indoor multi-meter installation for common service with instrument transformer cabinets and / or meter base(cont.)**

NOT TO SCALE



\*REFERENCE CRS 6-19-134, SKETCH #14, SKETCH #48, SKETCH #49, SHETCH #54 & SKETCH #54A

<p>RULES FOR ELECTRIC METER AND SERVICE INSTALLATIONS  <b>PPL ELECTRIC UTILITIES CORPORATION</b></p>	<p><b>Rules:</b> 2, 5, 12, 13, 16, 21 <small>REMSI_S028P3.dwg</small>  <b>Date:</b> 10/11/12 <b>Engr:</b> JPM</p>
--	---