

Secondary Service  
 Meter Base Connections for Self-Contained Meters  
 Overhead or Underground Service  
 400A

SKETCH #25B

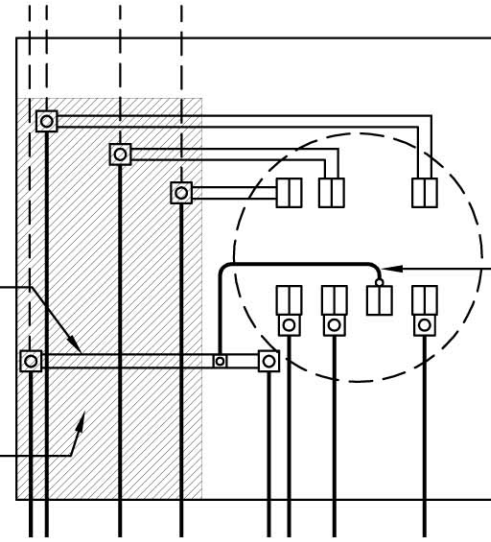
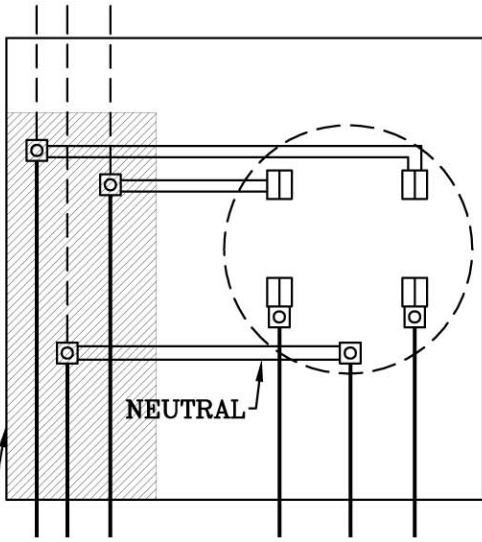
SKETCH #25B

SHEET 1

SHEET 1

OH LINE  
BY CUSTOMER

OH LINE  
BY CUSTOMER



#14 AWG CU  
MINIMUM BY  
BASE MFR.

NEUTRAL  
SHADED AREA  
FOR PPL EU  
WIRES ONLY

UG LINE  
BY PPL EU

LOAD

UG LINE  
BY PPL EU

LOAD

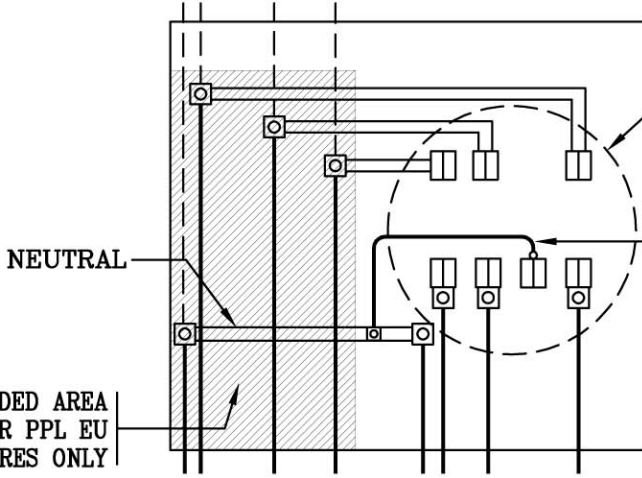
3 WIRE, 1 PHASE, 120/240V  
TABLE 1 & 2 - APPROVED METER SERVICE  
DEVICES

4 WIRE, 3 PHASE, 208Y/120V TABLE 3 & 4  
- APPROVED METER SERVICE  
DEVICES

SHADED AREA  
FOR PPL EU  
WIRES ONLY

OH LINE  
BY CUSTOMER

THE CONDUCTOR WITH HIGHER  
VOLTAGE TO GROUND MUST BE  
INSTALLED IN RIGHT HAND  
POSITION OF THE METER BASE  
AND MUST BE IDENTIFIED



#14 AWG CU  
MINIMUM BY BASE  
MANUFACTURING

NEUTRAL

SHADED AREA  
FOR PPL EU  
WIRES ONLY

UG LINE  
BY PPL EU

LOAD

4 WIRE, 3 PHASE, 240A/120V TABLE 3 & 4  
APPROVED METER SERVICE  
DEVICES

RULES FOR ELECTRIC METER AND SERVICE  
INSTALLATIONS  
**PPL ELECTRIC UTILITIES  
CORPORATION**

**Rules:** 5, 10, 12, 13, 14, 16, 20

**Date:** 9/17/08 **Engr:** MDB