



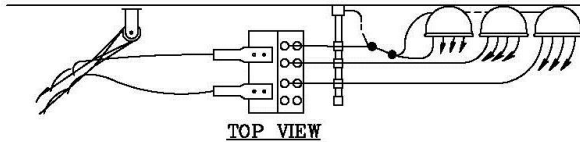
REMSI Sketches 1-25
Sketch #14c
6-50

0000-000-ST-6050
 Custom ID: DCS 6-50
 Revision: 01
 Effective Date: 09/19/2016
 Page 36 of 69

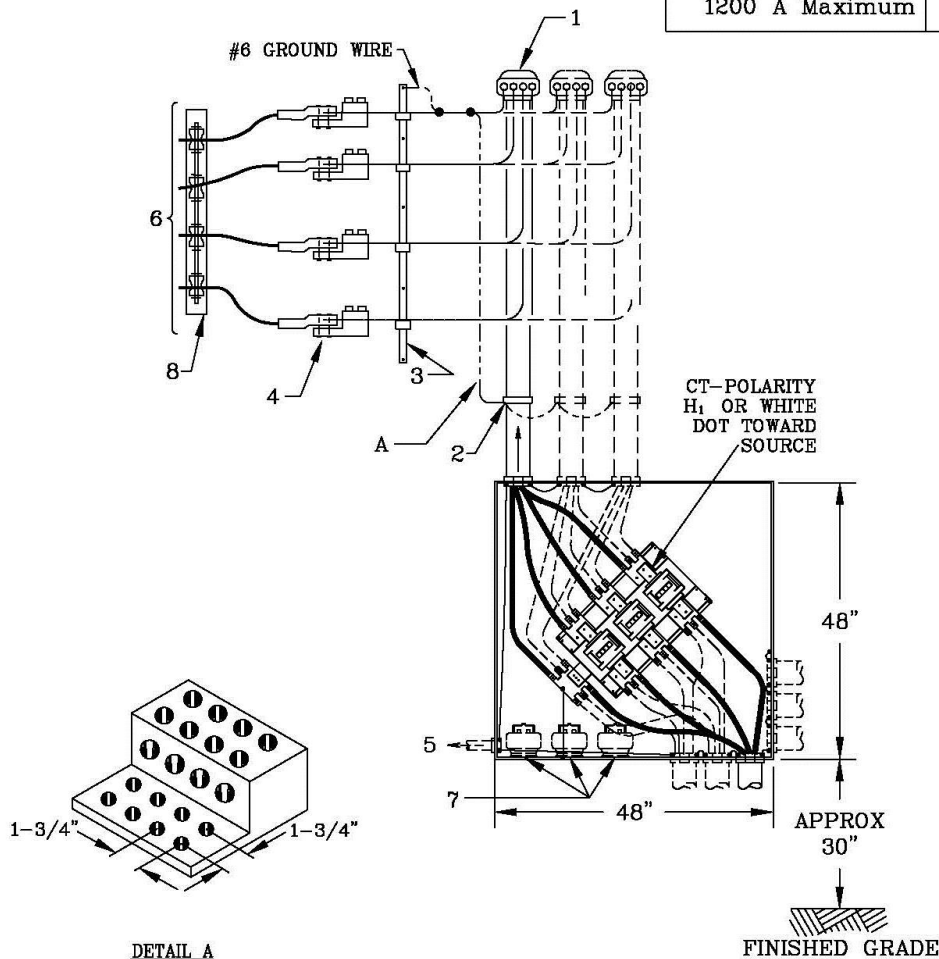
Sketch #14c Typical arrangement of overhead instrument transformers and mounting for installation in instrument transformer cabinet

3 phase, 4 wire, 208Y/120 volts or 3 phase, 4 wire, Delta 240/120 volts or 3 phase, 4 wire, 480/277 volts
 1200 Ampere Maximum

NOT TO SCALE



VOLTAGE: 3 Phase, 4 Wire Wye 120/208V 3 Phase, 4 Wire Delta 120/240V 3 Phase, 4 Wire 277/480V	SERVICE TYPE: Overhead
AMPERAGE: 1200 A Maximum	CABINET LOCATION: Outdoor



*REFERENCE: SKETCH #8C, SKETCH #44, SKETCH #49

RULES FOR ELECTRIC METER AND SERVICE INSTALLATIONS PPL ELECTRIC UTILITIES CORPORATION	Rules: 5, 13, 15 Date: <u>7/18/16</u> Engr: <u>NAP</u>
---	--

REMSI_S014CP1.dwg



REMSI Sketches 1-25
Sketch #14c
6-50

0000-000-ST-6050
Custom ID: DCS 6-50
Revision: 01
Effective Date: 09/19/2016
Page 37 of 69

Sketch #14c Typical arrangement of overhead instrument transformers and mounting for installation in instrument transformer cabinet (cont.)

CUSTOMER FURNISHES, INSTALLS, MAINTAINS

1. SERVICE ENTRANCE SEE RULE 5.
2. GROUND CLAMPS.
3. CABLE SUPPORT RACK.
4. LUG CONNECTORS. SEE DETAIL A OR SKETCH #49 FOR ALTERNATIVE CONNECTORS.
5. CONDUIT TO METER PANEL, SEE SKETCH #8C AND RULE 15.

PPL EU FURNISHES, INSTALLS, MAINTAINS

6. SERVICE DROP AND MAKES CONNECTION TO CUSTOMER'S SERVICE ENTRANCE CONDUCTORS. MAXIMUM TENSION PER CONDUCTOR.
7. VOLTAGE TRANSFORMER FOR 480/277V SERVICE ONLY.

PPL EU FURNISHES; CUSTOMER INSTALLS, MAINTAINS

8. SERVICE RACK OR BRACKET

NOTES:

- A. PPL EU MAKES GROUNDING CONNECTION FOR METAL CONDUIT.
- B. SEE SKETCH #44 FOR INSTRUMENT TRANSFORMER CABINET NOTES.
- C. SEE SKETCH #49 FOR 'DETAIL A'.

*REFERENCE: SKETCH #8C, SKETCH #44, SKETCH #49

<p>RULES FOR ELECTRIC METER AND SERVICE INSTALLATIONS PPL ELECTRIC UTILITIES CORPORATION</p>	<p>Rules: 5, 13, 15 Date: <u>7/18/16</u> Engr: <u>NAP</u></p>
---	--

REMSI_S014CP2.dwg