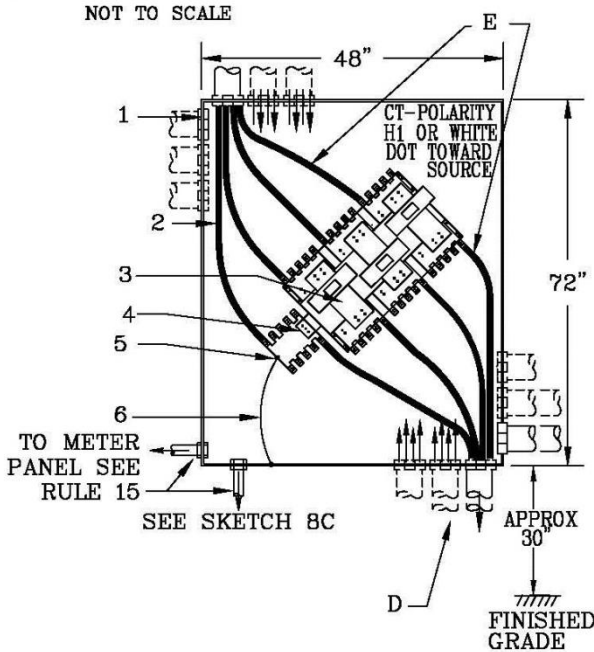


Sketch #14b Typical arrangement of instrument transformers and mounting for installation in instrument transformer cabinet

3 phase, 4 wire, 208Y/120 volts or 3 phase, 4 wire, Delta 240/120 volts, 2000 Ampere Maximum



<u>VOLTAGE:</u> 3 Phase, 4 Wire Wye 120/208V 3 Phase, 4 Wire Delta 120/240V	<u>SERVICE TYPE:</u> Overhead Underground
<u>AMPERAGE:</u> 2000 A Maximum	<u>CABINET LOCATION:</u> Indoor Outdoor

CUSTOMER FURNISHES, INSTALLS, MAINTAINS:

1. SEALABLE METAL CABINET MINIMUM SIZE 48 INCHES BY 72 INCHES BY 12 INCHES (SEE TABLES 5 AND 6 - APPROVED INSTRUMENT TRANSFORMER CABINET) AND INSTALLS INSTRUMENT TRANSFORMERS AND MOUNTING FURNISHED BY PPL EU. MOUNT ON 45° ANGLE TO ELIMINATE SHARP BENDS IN CABLES. GROUP CONDUITS IN CORNER OF CABINET.
2. NEUTRAL
3. FILLER BARS PROVIDED BY PPL EU AND INSTALLED BY CUSTOMER.

PPL EU FURNISHES INSTALLS, MAINTAINS:

4. TERMINAL FOR METERING NEUTRALS
5. STUD FOR BONDING JUMPER

CUSTOMER FURNISHES, INSTALLS, PPL EU MAINTAINS:

6. BONDING JUMPER PER NEC ARTICLE 250-GROUNDING. ALL METALLIC CONDUITS CONDUITS MUST BE BONDED TOGETHER AND TO THE CABINET. BONDING JUMPER SIZE 1/0 COPPER.

NOTES:

- A. MAXIMUM AMPACITY OF EACH CT MOUNTING CONNECTOR IS 400 AMPERES. EACH CONNECTOR CAN ACCOMMODATE ONE COPPER OR ALUMINUM CONDUCTOR UP TO 750 KCMIL.
- B. MAXIMUM TIGHTENING TORQUE ON THE CT MOUNTING 450 INCH-POUNDS.
- C. REAR ENTRY OF CT CABINETS IS NOT PERMITTED FOR PPL EU CABLES.
- D. CONDUITS SHALL HAVE 36 INCH MINIMUM BENDING RADIUS.
- E. THIS CONDUCTOR OF 3 PHASE, 4 WIRE, DELTA CONNECTED SERVICE SHALL HAVE THE HIGHER VOLTAGE TO GROUND AND BE IDENTIFIED SEE RULE 5 (G).

RULES FOR ELECTRIC METER AND SERVICE INSTALLATIONS PPL ELECTRIC UTILITIES CORPORATION	Rules: 5, 13, 15	REMSI_S014B.dwg
	Date: 7/18/16 Engr: NAP	