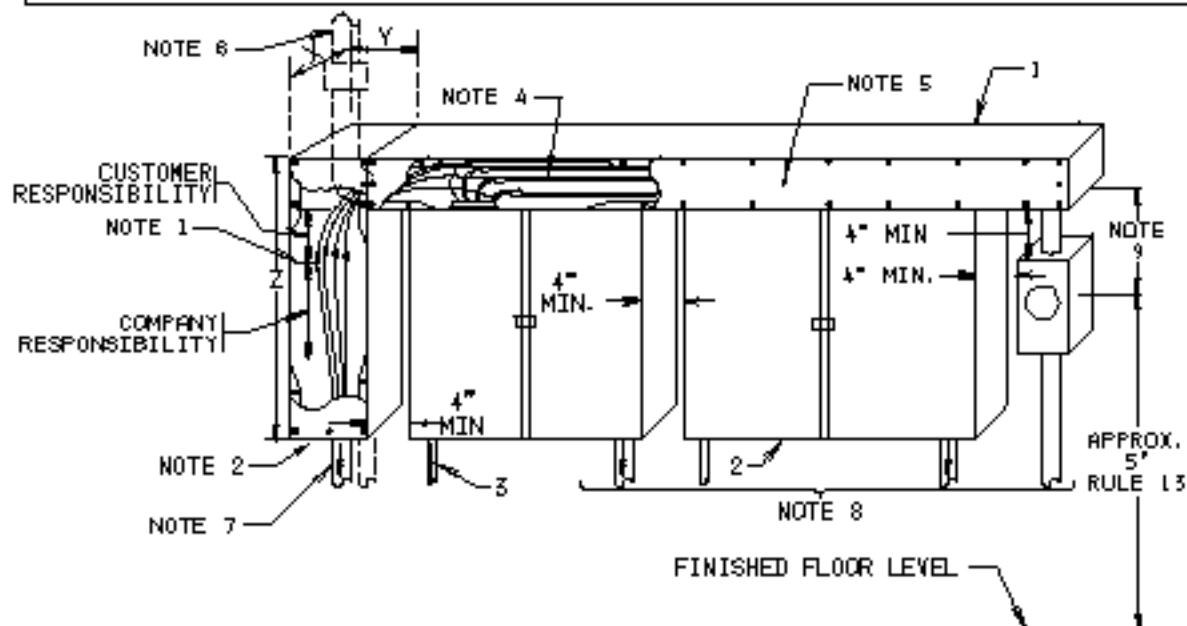


PENNSYLVANIA POWER & LIGHT COMPANY
SECONDARY SERVICE
OVERHEAD OR UNDERGROUND
INDOOR MULTI-METER INSTALLATION FOR COMMON SERVICE
WITH INSTRUMENT TRANSFORMER CABINETS AND/OR METER TROUGHS
SINGLE PHASE, 3 WIRE, 120/208 VOLTS OR 120/240 VOLTS
3 PHASE, 4 WIRE, 208Y/120 VOLTS OR 3 PHASE, 4 WIRE, 240-SINGLE PHASE 120/240VOLTS
RULES 2, 5, 12, 13, 16, & 21



CUSTOMER FURNISHES, INSTALLS AND MAINTAINS:

- 1 - SERVICE ENTRANCE, HORIZONTAL AND VERTICAL SEALABLE WIRE TROUGH, INSTRUMENT TRANSFORMER CABINETS AND INDIVIDUAL METER TROUGH. SEE RULE 16.
- 2 - SEALABLE METAL CABINET, MINIMUM SIZE 48 INCHES BY 48 INCHES BY 12 INCHES AND INSTALLS INSTRUMENT TRANSFORMERS AND METER MOUNTINGS FURNISHED BY COMPANY. RULE 15. SEE SKETCH 14 FOR DETAILS OF ARRANGEMENT OF INSTRUMENT TRANSFORMERS.
- 3 - 1-1/4 INCH MINIMUM, THREADED, GALVANIZED, RIGID, OR INTERMEDIATE STEEL OR SCHEDULE 40 PVC CONDUIT AND FITTINGS BETWEEN INSTRUMENT TRANSFORMER CABINET AND METER MOUNTING. COMPANY FURNISHES AND INSTALLS WIRING BETWEEN INSTRUMENT TRANSFORMERS AND METER MOUNTING.
- 4 - ALLOW 18 INCHES MINIMUM LENGTH OF CABLE IN TROUGH

NOTES:

- 1 - POINT OF DELIVERY. COMPANY MAKES CONNECTION BETWEEN SERVICE LATERAL CABLES AND CUSTOMER SERVICE ENTRANCE CABLES. SEE SKETCHES 48 AND 49 FOR MULTIPLE SERVICE ENTRANCE CONDUCTORS.
- 2 - VERTICAL SEALABLE WIRE TROUGH SHALL OPEN ON FRONT.
- 3 - SUB-SERVICE FROM A COMMON 3 PHASE, 4 WIRE, 208 VOLT SERVICE SHALL BE BALANCED. SEE RULE 2.
- 4 - IDENTIFY THIS CONDUCTOR OF 3 PHASE 4 WIRE, DELTA CONNECTED SERVICE. SEE RULE 5.
- 5 - CUSTOMER SHALL MAKE ALL SUB-SERVICE TAPS TO INDIVIDUAL METER TROUGHS FROM CUSTOMER'S BUS IN HORIZONTAL WIRE TROUGH. SEE RULE 16. METERED CONDUCTORS SHALL NOT BE INSTALLED IN THIS WIRE TROUGH. SEE RULE 12.
- 6 - SERVICE ENTRANCE CONDUIT OR CABLE FOR OVERHEAD SERVICE. RULES 5 AND 16.
- 7 - UNDERGROUND SERVICE ENTRANCE CONDUIT OR CABLE. RULES 5 AND 16.
- 8 - SUB-SERVICES TO INDIVIDUAL CUSTOMER'S SERVICE DISCONNECTING EQUIPMENT SEE RULE 21.
- 9 - SPACE TO SUIT.

COMPANY ALUMINUM XLP CABLE	1 SET OF 3					1 SET OF 4				
	NO.	MIN. SIZE	MINIMUM VERTICAL TROUGH DIMENSIONS			NO.	MIN. SIZE	MINIMUM VERTICAL TROUGH DIMENSIONS		
			X	Y	Z			X	Y	Z
#1/0	1	2 5/8"	6"	6"	36"	1	2"	6"	6"	36"
#4/0	1	2"	6"	6"	36"	1	2"	6"	6"	36"
350 KCMIL	1	2 5/8"	6"	6"	36"	1	3"	6"	6"	36"

* FOR ALL SETS OF 500 AND 750 KCMIL CABLE, CUSTOMER FURNISHES, INSTALLS, AND MAINTAINS SEALABLE METAL CABINET PER SKETCH 54 AND 54A.

SKETCH # 28

RULES FOR ELECTRIC METER AND SERVICE INSTALLATIONS
PA POWER & LIGHT CO. ALLENTOWN, PA.

REVISION DATE: 3-1-94

A-191000⁻³ SHEET 28