

PENNSYLVANIA POWER & LIGHT COMPANY

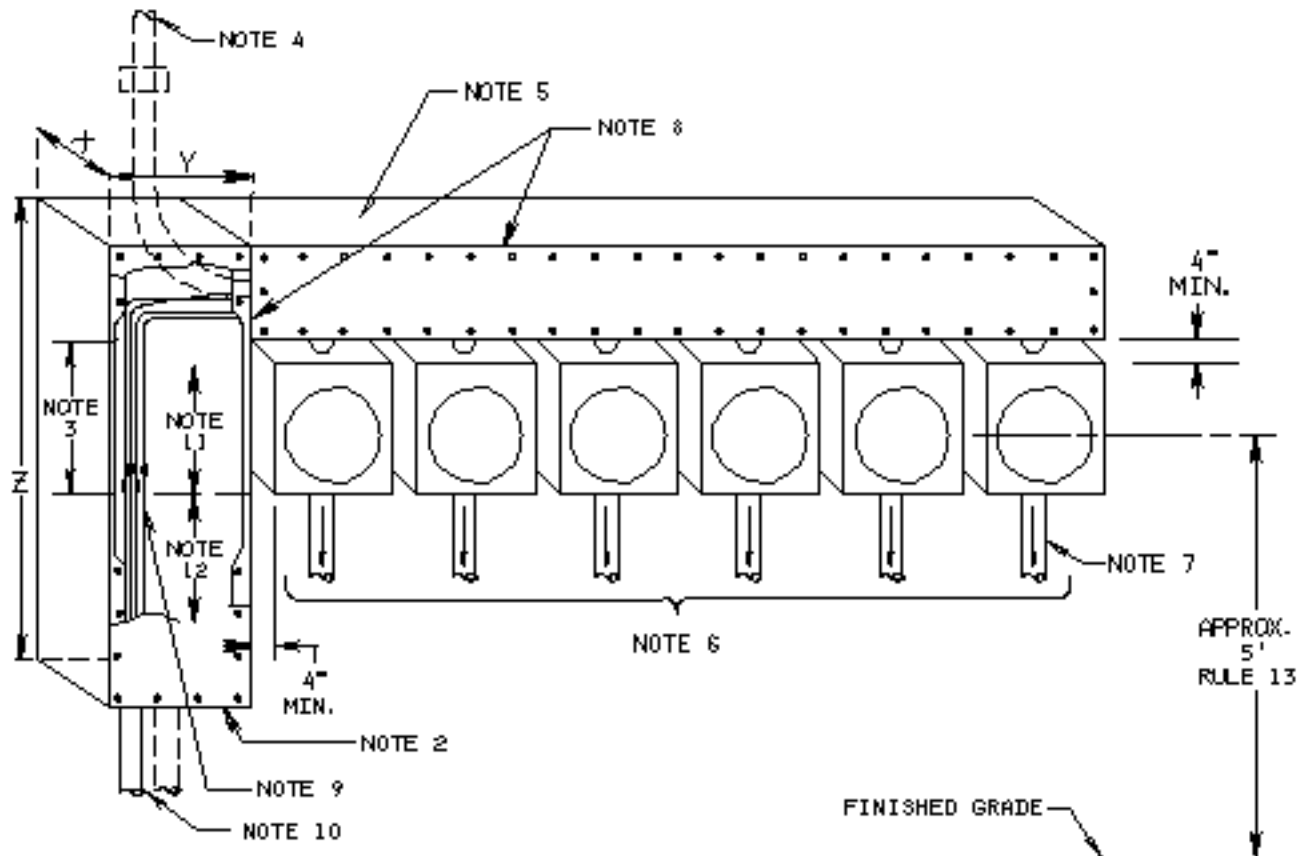
SECONDARY SERVICE
OVERHEAD OR UNDERGROUND

MULTI-METER INSTALLATION FOR TWO TO SIX METERS
USING INDIVIDUAL METER TROUGH AND WIRE TROUGH

SINGLE PHASE, 3 WIRE, 120/208 VOLTS OR 120/240 VOLTS

3 PHASE, 4 WIRE, 208Y/120 VOLTS OR 3 PHASE, 4 WIRE, 240-SINGLE PHASE 120/240 VOLTS

RULES 2, 5, 12, 13, 16 AND 21



NOTES:

- 1 - SUB-SERVICE FROM A COMMON 3 PHASE, 4 WIRE, 208 VOLT SERVICE SHALL BE BALANCED, SEE RULE 2
- 2 - VERTICAL SEALABLE WIRE TROUGH SHALL OPEN ON FRONT.
- 3 - MINIMUM LENGTH OF CABLES BY CUSTOMER INSIDE TROUGH-18 INCHES.
- 4 - SERVICE ENTRANCE CONDUIT OR CABLE FOR OVERHEAD SERVICE-RULES 5 AND 16.
- 5 - CUSTOMER SHALL MAKE ALL SUB-SERVICE TAPS TO INDIVIDUAL METER TROUGHS FROM CUSTOMER'S BUS IN HORIZONTAL WIRE TROUGH. SEE RULE 16. METERED CONDUCTORS SHALL NOT BE INSTALLED IN THIS WIRE TROUGH. SEE RULE 12.
- 6 - SUB-SERVICES TO INDIVIDUAL CUSTOMER'S SERVICE DISCONNECTING EQUIPMENT SEE RULE 21.
- 7 - SUB-SERVICES, CONDUIT OR CABLE. SEE RULE 5 FOR CONDUCTOR SIZE.
- 8 - CUSTOMER FURNISHES, INSTALLS AND MAINTAINS SERVICE ENTRANCE, HORIZONTAL AND VERTICAL SEALABLE WIRE TROUGH, AND INDIVIDUAL METER TROUGHS. SEE RULE 16.
- 9 - POINT OF DELIVERY. COMPANY MAKES CONNECTION BETWEEN SERVICE LATERAL CABLES AND CUSTOMER SERVICE ENTRANCE CABLES. SEE SKETCHES 48 AND 49 FOR MULTIPLE SERVICE ENTRANCE CONDUCTORS.
- 10 - UNDERGROUND SERVICE ENTRANCE CONDUIT OR CABLES. SEE RULES 5 AND 16
- 11 - CUSTOMER RESPONSIBILITY
- 12 - COMPANY RESPONSIBILITY.

COMPANY ALUMINUM XLP CABLE	1 SET OF 3					1 SET OF 4				
	NO.	MIN. SIZE	MINIMUM VERTICAL TROUGH DIMENSIONS			NO.	MIN. SIZE	MINIMUM VERTICAL TROUGH DIMENSIONS		
			X	Y	Z			X	Y	Z
#1/0	1	1.5"	6"	6"	36"	1	2"	6"	6"	36"
#4/0	1	2"	6"	6"	36"	1	2"	6"	6"	36"
#50 KCMIL	1	2.5"	6"	6"	36"	1	3"	6"	6"	36"

* FOR ALL SETS OF 500 AND 750 KCMIL CABLE, CUSTOMER FURNISHES, INSTALLS, AND MAINTAINS SEALABLE METAL CABINET PER SKETCH 54 AND 54A.

REFERENCES.

CRS-1009

SKETCH # 27

RULES FOR ELECTRIC METER AND SERVICE INSTALLATIONS
PA POWER & LIGHT CO. ALLENTOWN, PA.

REVISION DATE: 3-1-94

A-191000⁻³ SHEET 27