



**Underground Sectionalizing
Customer Reference Specification
Ultra Service Park Precast Concrete Foundation
for Pad Mounted VCR
6-22-130**

0000-000-ST-6022
Custom ID: DCS 6-22
Revision: 07
Effective Date: 8/5/2019
Page 113 of 154

**6-22-130 – Customer Reference Specification Ultra Service Park Precast Concrete Foundation
for Pad Mounted VCR**

**Installation Instructions For
Precast Concrete Foundation
For Three-Phase Pad Mounted
VCR**

THIS CUSTOMER REFERENCE SPECIFICATION (CRS) IS PART OF THE
RULES FOR ELECTRIC METER AND SERVICE INSTALLATION (REMSI) WEBSITE.



**Underground Sectionalizing
Customer Reference Specification
Ultra Service Park Precast Concrete Foundation
for Pad Mounted VCR
6-22-130**

0000-000-ST-6022
Custom ID: DCS 6-22
Revision: 07
Effective Date: 8/5/2019
Page 114 of 154

This specification contains basic information which defines PPL EU's material and design requirements for the installation of precast concrete foundations.

All details of this specification shall be strictly followed. Any deviation **must** be approved by a PPL EU engineer. Unapproved deviations are usually costly for the customer to correct and can result in delays or possible refusal to connect service.

Other Associated Specifications

A-168735..... Customer installed Duct Systems

CRS 6-18-115..... Installation Instructions for Customer installed Conduit Systems on PPL EU Terminal Poles

A-190974..... Concrete Specifications

CRS 6-17-122..... Three-Phase Pad-Mounted Transformer Installations 75 kVA to 2500 kVA Capacity.

CRS 6-14-125..... Customer installed Screening of Pad-Mounted Devices

General Instructions for Typical Installation

1. Plot Plan

The customer must provide PPL EU with a detailed plot plan showing location of building and property lines, service entrance switchgear, metering, and service entrance. This should be sufficiently ahead of actual start of building construction to allow PPL EU to engineer project, preferably during building design stage to allow input on service location.

2. Construction Plan

A PPL EU engineer will provide the customer with a construction plan showing the proposed location of primary supply circuits, primary supply conduits, and pad mounted VCR. The VCR foundation must always be located in an area where there is free access for PPL EU's mobile crane and maintenance vehicles.

3. Right-of-Way

When the customer and PPL EU reach final agreement on location of electric facilities, the customer signs associated agreements and grants necessary right-of-way. Construction by PPL EU will not proceed until these documents are completed by the customer.



**Underground Sectionalizing
Customer Reference Specification
Ultra Service Park Precast Concrete Foundation
for Pad Mounted VCR
6-22-130**

0000-000-ST-6022
Custom ID: DCS 6-22
Revision: 07
Effective Date: 8/5/2019
Page 115 of 154

4. Precast Foundation

The customer's contractor is responsible for purchasing the precast foundation for the VCR. A list of PPL EU approved suppliers is contained on page 97. Contractor must coordinate site preparations with desired delivery date. If site preparations are complete, supplier will set foundation in final position. The contractor must provide a clear and firm approach to the point of delivery.

5. Excavation for VCR Foundation

The customer's contractor is responsible for the excavation to install the foundation and for backfill afterwards. The excavation should be at least 9 feet by 15 feet by 8-½ feet deep. See Note 7 for ground ring excavation.

Note: Actual excavation depth may vary from site to site depending upon difference between existing and final grade at time of delivery.

A 10 inch layer of #1B crushed stone is spread to level the bottom of the excavation and act as a French drain. The bottom must be well tamped and level.

6. Finished Grade

Finished grade around the switchgear must be a minimum of 4 inches below top surface of the foundation and sloped away. **Never** grade the area surrounding foundation in such a way that it forms a swale where ground water will collect.

7. Excavation for Ground Ring

The customer's contractor digs trench around foundation (2 feet deep and 4 feet off sides) for installation of ground ring provided by PPL EU. The contractor notifies PPL EU when trench is opened. After PPL EU installs grounding, the contractor backfills trench.

8. Conduit System

The customer's contractor installs conduit systems in accordance with PPL EU construction plan. All conduits must enter foundation through wall knock-out areas at locations specified by PPL EU engineer. Never penetrate floor or corners. PPL EU engineer will specify number and size of conduits to be installed.

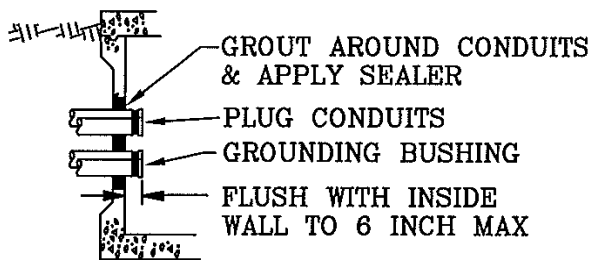
Contractor must use one of the following methods to install conduit:

- A. Hot dipped galvanized steel conduit (rigid or intermediate grade) directly buried in earth. All threaded couplings must be tightly joined using plumbers Teflon tape or similar joint comlb designed to stop water leaks. All bends must have at least 36 inch radius. All steel conduits must have grounding bushings at foundation.
- B. Use type UL approved EB or DB PVC conduit encased in a concrete envelope as specified in A-168735. All joints must be tightly sealed using the appropriate solvent cement. All 90° bends must

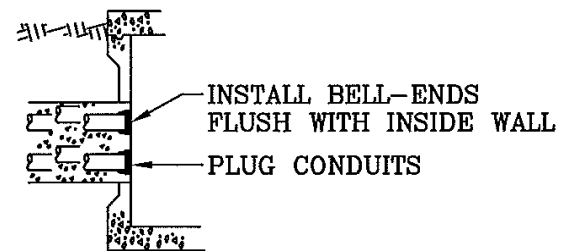
be hot dipped galvanized steel (rigid or intermediate grade) with at least a 36 inch radius. Concrete must also encase steel bends to prevent cable pulling tensions causing breakage at steel-to-plastic adaptors. All plastic conduit must have bell-ends at the foundation.

After installation, the contractor must clean debris from the ducts by pulling a stiff bristled brush and some clean rags through each conduit. A fish line (mule tape) must be provided in each conduit and all conduit ends must be temporarily plugged to keep them clean and dry.

Regardless of which conduit installation method is used, contractor must seal and waterproof foundation knock-out area around the conduit penetration.



STEEL CONDUITS 6-22-130A



PVC-ENCASED 6-22-130B

9. Notification to PPL EU of Foundation Delivery Time

It is the customer's responsibility to ensure that precaster notifies PPL EU 24 hours prior to delivery to job site. PPL EU representative may be at job site during precaster's permanent placement of foundation. All approved precasters have names and phone numbers of appropriate PPL EU personnel to be notified.

10. Protective Barriers

It is the customer's responsibility to install protective barriers. Barriers are required when the switchgear is located in an area exposed to vehicular traffic. Barriers must be located and installed in accordance with the PPL EU construction plan. All protective barriers must be removable bollards (constructed as or equivalent to 6-22-198E-B).

11. Clearances

The minimum clearances shown in this specification were set by PPL EU for operating and maintenance purposes. It is the customer's responsibility to comply with the National Electric Code (NEC), local municipal, fire insurance regulations and any other applicable code regarding the location of electrical equipment and building facilities. Any required safeguards, such as barriers, are installed and maintained by customer.



**Underground Sectionalizing
Customer Reference Specification
Ultra Service Park Precast Concrete Foundation
for Pad Mounted VCR
6-22-130**

0000-000-ST-6022
Custom ID: DCS 6-22
Revision: 07
Effective Date: 8/5/2019
Page 117 of 154

12. Cover and Concealment

- 12.1 The customer must keep the area above the switchgear clear of obstructions. This includes overhanging tree limbs which may block crane access to the switchgear.
- 12.2 The customer may elect to install shrubbery screening or concealment fences. All construction and maintenance work must be performed by the customer. Minimum clearances to the switchgear are shown in CRS 6-14-125. Customer must secure PPL EU approval **before** concealing the switchgear.

13. Order Information

Order from these approved suppliers only. Foundation same as PPL EU CID #1032702 per PPL EU Drawing MRS-2056. Allow approximately 3 days to coordinate delivery.

- | | |
|---|---|
| 1. Oldcastle Precast
P.O. Box 210
514 Township Line Road
Telford, PA 18969
(215) 257-8081 | 4. Monarch Precast Concrete Corp.
425 North Dauphin Street
Allentown, PA 18109-2199
(610) 435-6746 |
| 2. A.C. Miller Concrete Products, Inc.
Bridge Street
Spring City, PA 19475
(610) 948-4600 | 5. Modern Precast Concrete Products
& Construction Supplies
2863 Brodhead Road
Bethlehem, PA 18020
(610) 997-3119 |
| 3. Monarch Products Co., Inc.
385 Sipe Road
York Haven, PA 17370-9705
(717) 938-8303 | 6. Scranton Craftsmen, Inc
930 Dunmore Street
Throop, PA 18512
(800) 775-1479 |

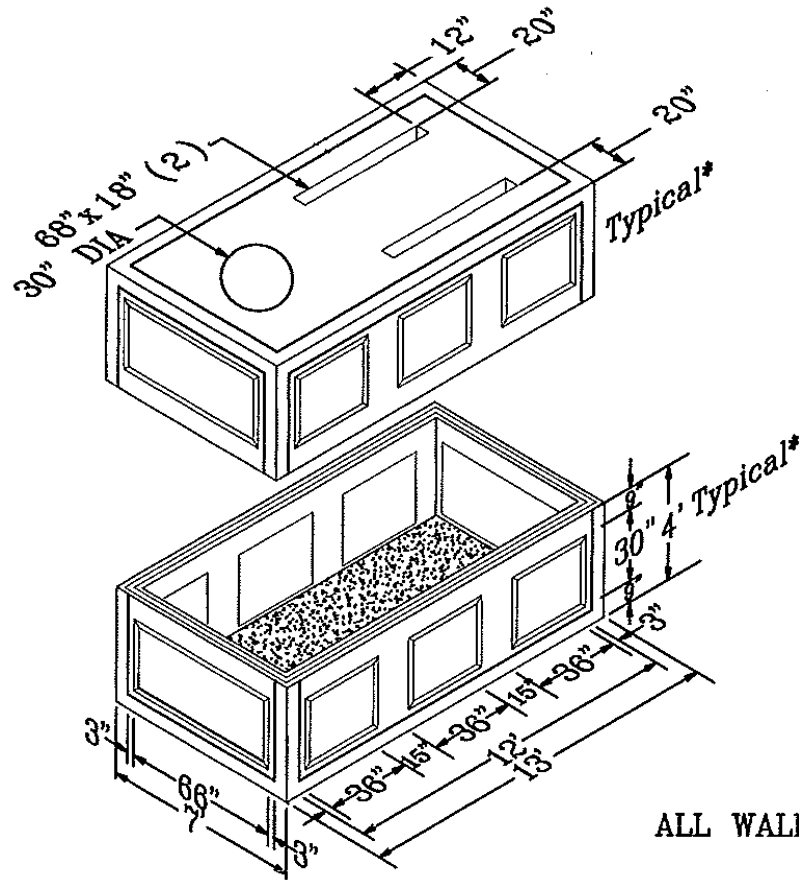


**Underground Sectionalizing
Customer Reference Specification
Ultra Service Park Precast Concrete Foundation
for Pad Mounted VCR
6-22-130**

0000-000-ST-6022
Custom ID: DCS 6-22
Revision: 07
Effective Date: 8/5/2019
Page 118 of 154

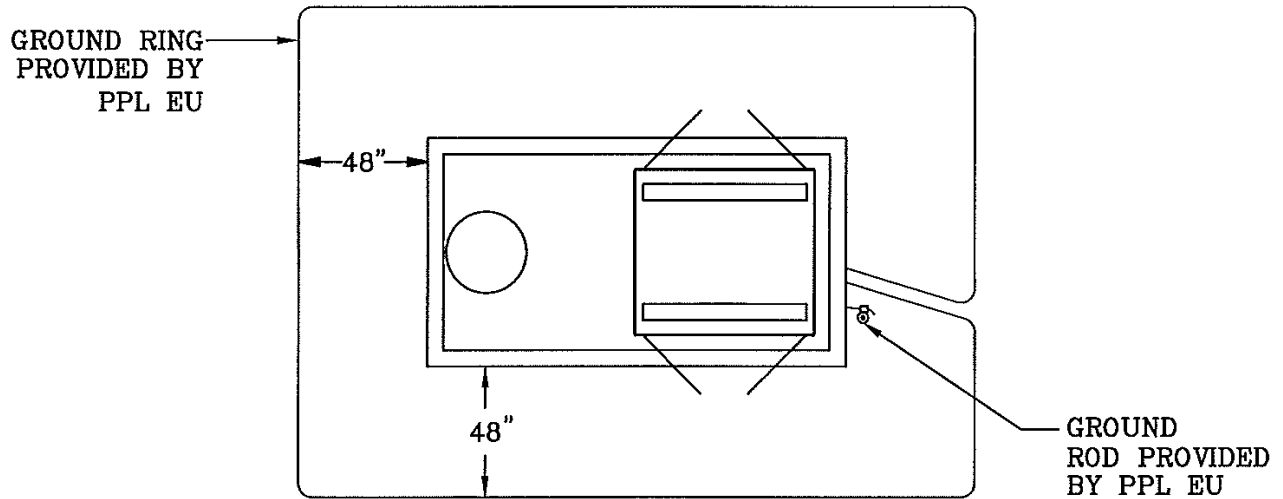
Customer-Installed Precast Foundation

MINIMUM EXCAVATION
15'x 9'x 8-1/2' DEEP
NOTE 5



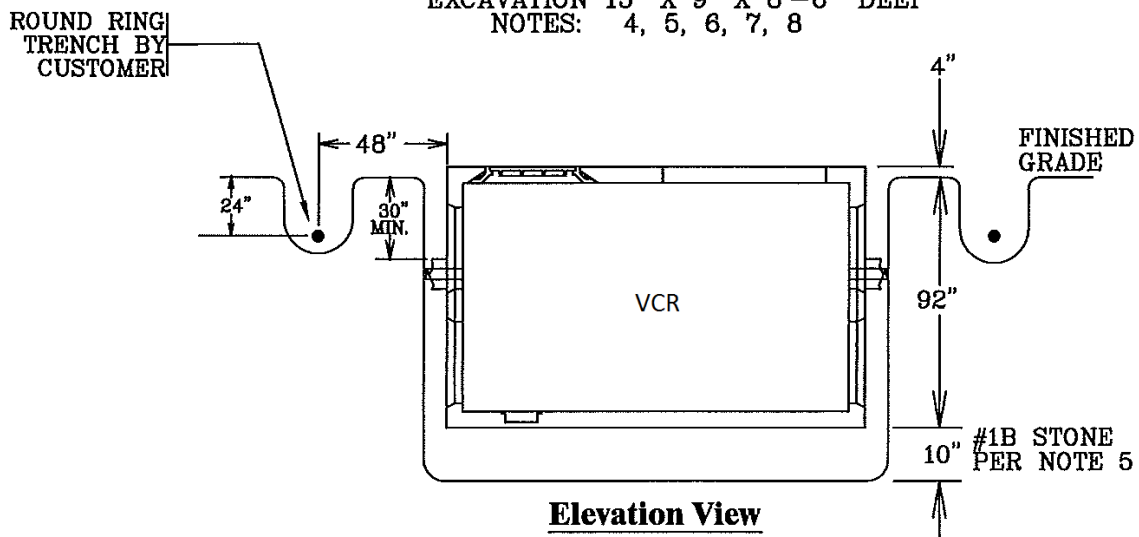
ALL WALLS ARE 6" THICK.
6-22-130C

Typical Installation



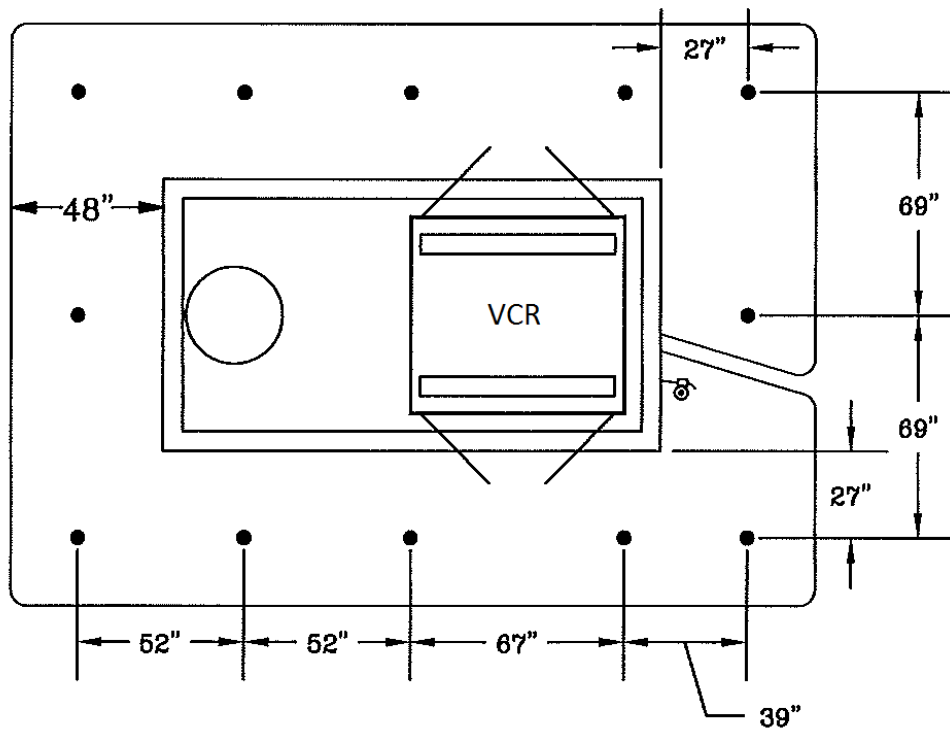
Plan View

PRECAST CONCRETE FOUNDATION
 BY CUSTOMER
 EXCAVATION 15' X 9' X 8'-6" DEEP
 NOTES: 4, 5, 6, 7, 8



6-22-130D

Barrier and Grounding Details



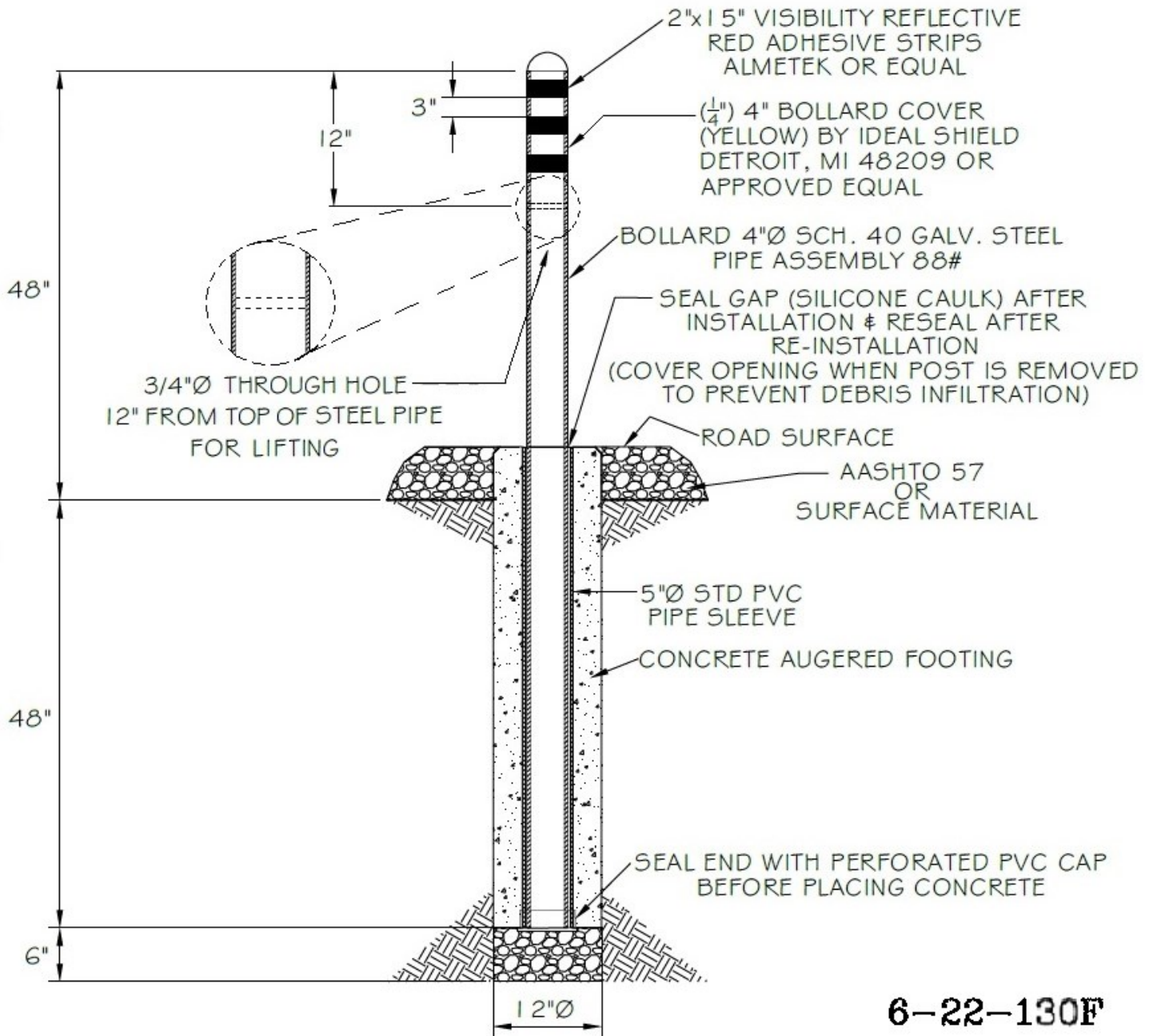
6-22-130E



**Underground Sectionalizing
Customer Reference Specification
Ultra Service Park Precast Concrete Foundation
for Pad Mounted VCR
6-22-130**

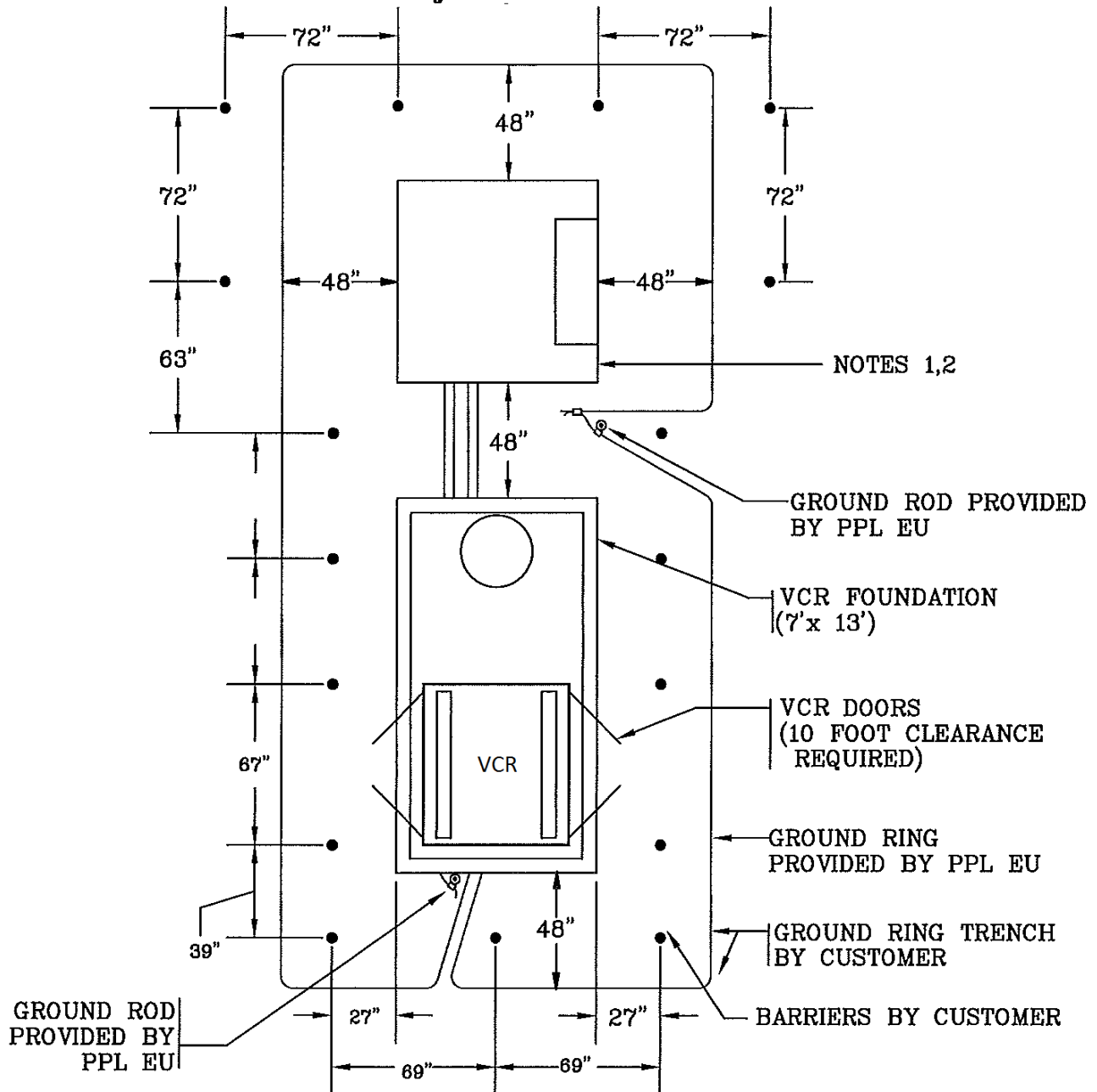
0000-000-ST-6022
Custom ID: DCS 6-22
Revision: 07
Effective Date: 8/5/2019
Page 121 of 154

REMOVABLE BOLLARD



6-22-130F

Barrier and Grounding Details
Foundation Adjacent Transformer Foundation



NOTE: (1) SEE 6-17-122 FOR BARRIER LOCATION WHEN TRANSFORMER IS LOCATED IN A PARKING LOT ADJACENT TO A BUILDING.

(2) SEE 6-17-022 FOR TRANSFORMER FOUNDATION AND GROUNDING DETAILS. FRONT OF TRANSFORMER MAY FACE ANY DIRECTION PROVIDED 10 FOOT CLEARANCE FOR SWITCHING IS MAINTAINED.

6-22-130G