



Metering
Customer Reference Specification
12kV 3-Phase Service Metering on Customer-
Owned Pole (Overhead Supply to OH)
6-09-196

0000-000-ST-6009
Custom ID: DCS 6-09
Revision: 04
Effective Date: 01/16/2017
Page 29 of 57

6-09-196 - Customer Reference Specification - 12kV 3-Phase Service Metering on Customer-Owned Pole (Overhead Supply to Overhead)

Overhead Supply to Overhead

A-188076

THIS CUSTOMER REFERENCE SPECIFICATION (CRS) IS PART OF THE
RULES FOR ELECTRIC METER AND SERVICE INSTALLATION (REMSI) WEBSITE.



Metering
Customer Reference Specification
**12kV 3-Phase Service Metering on Customer-
 Owned Pole (Overhead Supply to OH)**
6-09-196

0000-000-ST-6009
 Custom ID: DCS 6-09
 Revision: 04
 Effective Date: 01/16/2017
 Page 30 of 57

This specification defines the customer's responsibilities and requirements necessary for 12 KV 3 phase service, overhead supply to overhead. All details of this specification must be strictly followed.

The pole location and equipment installation must be approved by the PPL Supervisor- Commercial & Industrial Metering Services and PPL Design Supervisor. Any deviation from this specification must be approved. Unapproved deviations are usually costly for the customer to correct and can result in delays or possible refusal to connect service.

Refer to CRS 6-09-194 for 12kV 3-Phase Service Interrupter Switch on Customer-Owned Pole (Overhead Supply to Overhead).

Notes:

1. All facilities, except bill of material items #1 and 2, are provided, installed, and maintained by customer. PPL will make metering connections and all connections to the system neutral.
2. Customer to furnish and install lightning arresters.
3. Maximum tension in PPL supply conductors is 2000 pounds each (8000 pounds total, 3 phase and neutral).
4. Customer's primary neutral, fused interrupter switch base, instrument transformer cases, lightning arresters, conduit and secondary neutral of instrument transformers must be grounded.

Customer must make all grounding connections using compression connectors, and all primary connections using cable-to-flat or stem connectors as appropriate.

5. Point of Contact (POC) is contained in the PPL EU document "Point of Contact Requirements for High Voltage Customer-Owned Facilities 12kV Supply."

Item	Qty.	Bill of Material	CID No. or Drawing No.
Material Supplied by PPL			
1	1	Bracket, 3-phase cluster mount, aluminum	1017555
2	3	Instrument transformer, voltage	Meter Dept.
	3	Instrument transformer, current	Meter Dept.
	*	Meter mounting and material	Meter Dept.
	*	Ft., wire, from meter to instrument transformers	Meter Dept.
	1	Bolt, machine, 5/8" x length to suit, galv.	M&E
	1	Insulator, pin type, porcelain, 12 kV	118111
	1	Pin, steel, for insulator, wood mounting	111580

* As Required



Metering
Customer Reference Specification
**12kV 3-Phase Service Metering on Customer-
 Owned Pole (Overhead Supply to OH)**
6-09-196

0000-000-ST-6009
 Custom ID: DCS 6-09
 Revision: 04
 Effective Date: 01/16/2017
 Page 31 of 57

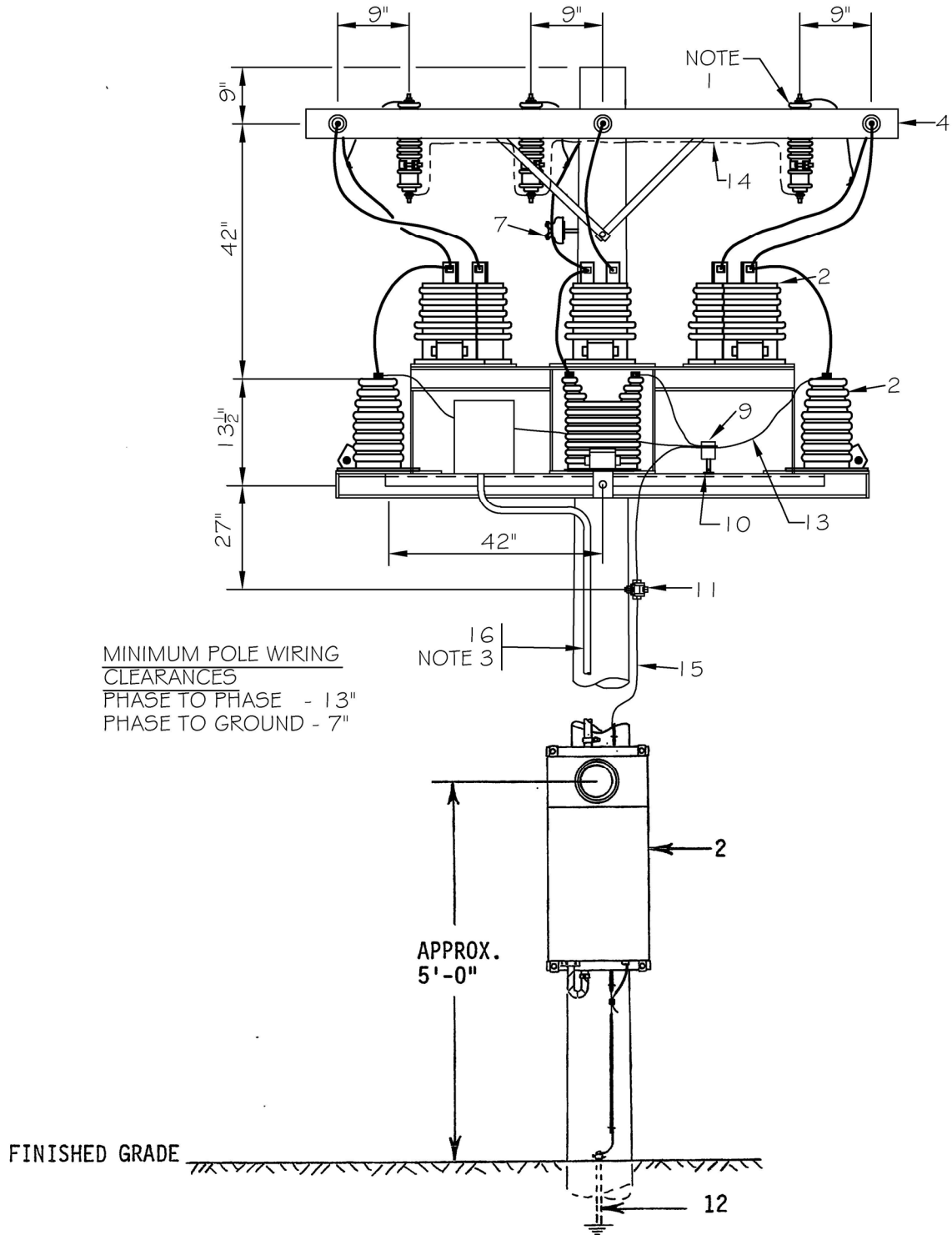
Item	Qty.	Bill of Material	CID No. or Drawing No.
Material Supplied by Customer			
3	1	Pole, (class 3 min.) length as specified (35' min.)	
4	1	Crossarm, wood, 3-1/2" x 4-1/2" x 8' long	
	1	Bolt, machine, 5/8" x length to suit, galv.	
	2	Washer, 2-1/4" sq. for 5/8" bolt, galv.	
	2	Brace, crossarm, flat, 28" long	
	2	Bolt, carriage, 3/8" x 5" long, galv.	
	1	Screw, lag, 1/2" x 4" long, galv.	
5	6	Clamp, strain	
	3	Insulator, suspension, clevis type	
	3	Link, 1/2"	
6	6	Bracket, lightning arrester mounting	
	6	Arrester, lightning, for 12 kV, 4 wire system	
7	2	Insulator, pin type, 12 kV	
	2	Pin, insulator, steel, wood mounting	
8	1	Gain, pole	
9	*	Insulator, pin type, neutral	110576
10	*	Pin, insulator, steel, steel mounting	
11	1	Aerial cable neutral clamp	
12	1	Rod, ground 1/2" dia. x 8' long, steel, CU clad	
13	*	Ft. wire, 2/0 Cu, stranded, HDPE or bare	
	6	Connector, terminal, size and type as required	
14	*	Ft. wire, #2 Cu, solid, HDPE or bare	
	*	Connectors as required	
15	*	Ft. wire, #2 Cu, solid, HDPE or bare with molding	
	*	Connectors as required	
16	1	Lot, 1-1/4" and 1" rigid metal conduit, 1-1/4" and 1" flexible metal weatherproof conduit, junction boxes and fittings	
17	1	Insulator, pin type, 12 kV	
	1	Pin, steel, for pole top mounting	
	2	Bolt, machine, 5/8" x length to suit, galv.	
	2	Washer, 2-1/4" square	
	1	Washer, round for 5/8" bolt	

* As Required

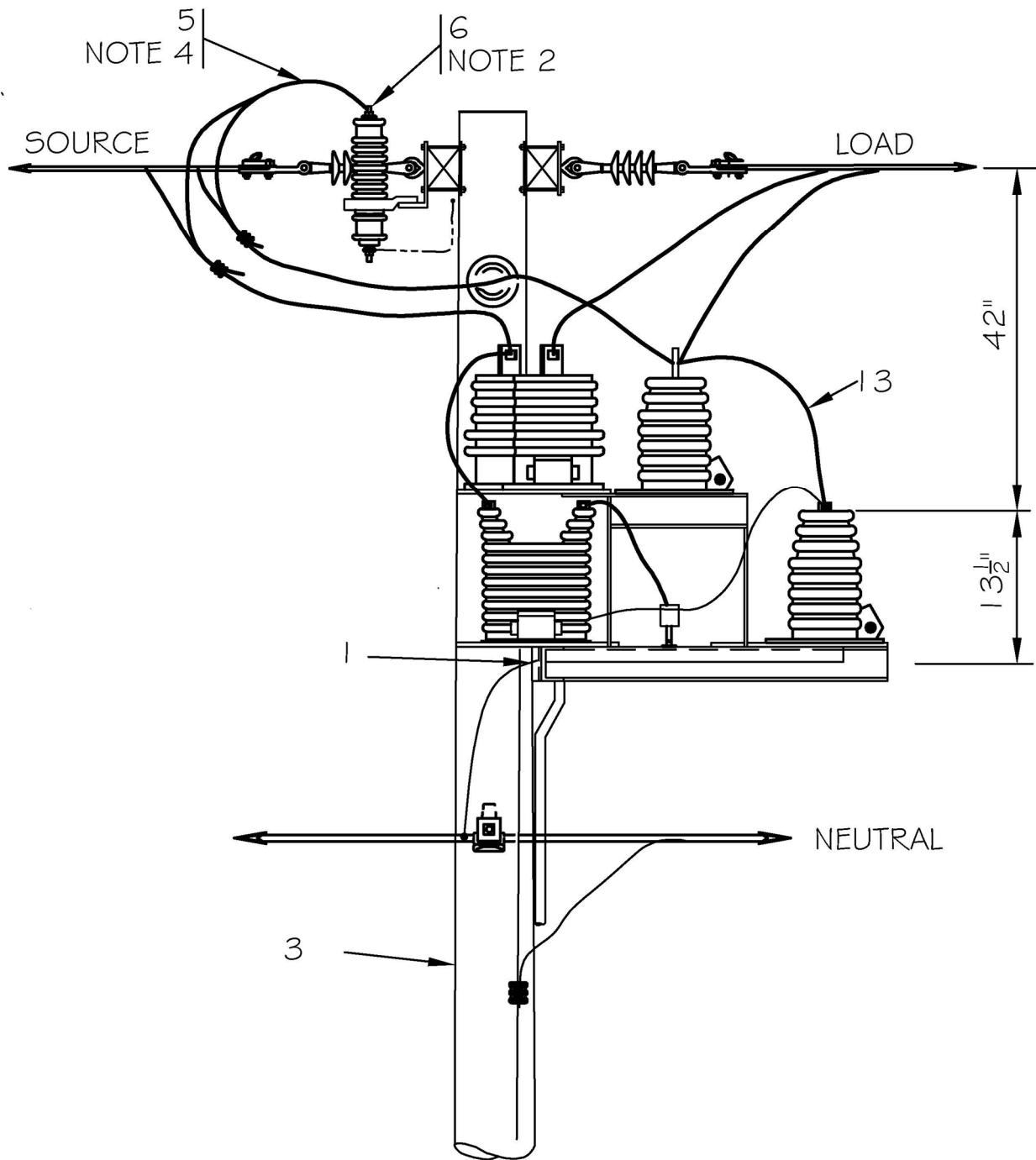


Metering
Customer Reference Specification
12kV 3-Phase Service Metering on Customer-Owned Pole (Overhead Supply to OH)
6-09-196

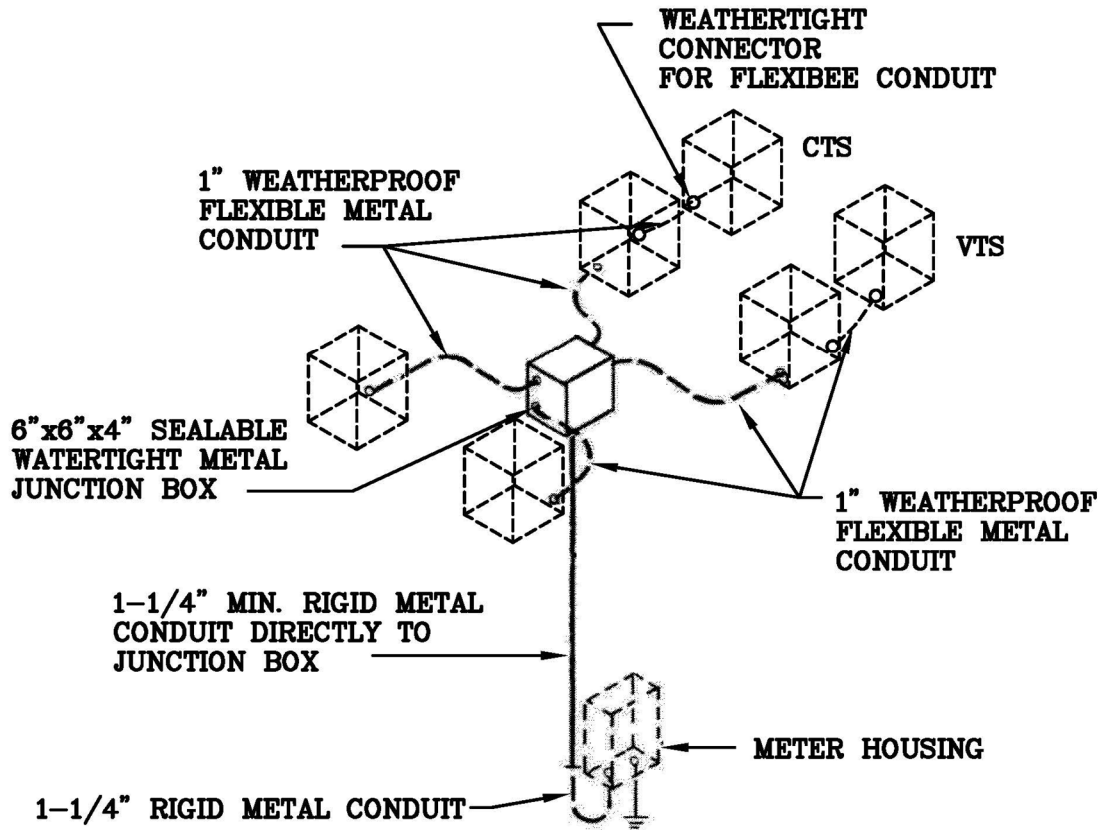
0000-000-ST-6009
 Custom ID: DCS 6-09
 Revision: 04
 Effective Date: 01/16/2017
 Page 32 of 57



6-09-196-A



6-09-196-B



6-09-196-C