



Metering
Customer Reference Specification
12kV 3-Phase Service Interrupter
Switch on Customer-Owned Pole
6-09-194

0000-000-ST-6009
Custom ID: DCS 6-09
Revision: 04
Effective Date: 01/16/2017
Page 13 of 57

6-09-194 - Customer Reference Specification - 12kV 3-Phase Service Interrupter Switch on Customer-Owned Pole (Overhead Supply to Overhead)

Overhead Supply to Overhead

Replaces A-128453

THIS CUSTOMER REFERENCE SPECIFICATION (CRS) IS PART OF THE
RULES FOR ELECTRIC METER AND SERVICE INSTALLATION (REMSI) WEBSITE.



Metering
Customer Reference Specification
12kV 3-Phase Service Interrupter
Switch on Customer-Owned Pole
6-09-194

0000-000-ST-6009
Custom ID: DCS 6-09
Revision: 04
Effective Date: 01/16/2017
Page 14 of 57

This specification defines the customer's responsibilities and requirements necessary for 12 KV 3 phase service, overhead supply to overhead. All details of this specification must be strictly followed.

The pole location and equipment installation must be approved by the PPL Supervisor - Commercial & Industrial Metering Services and PPL Design Supervisor. Any deviation from this specification must be approved. Unapproved deviations are usually costly for the customer to correct and can result in delays or possible refusal to connect service.

Refer to CRS 6-09-196 for 12kV 3-Phase Service Metering on Customer-Owned Pole (Overhead Supply to Overhead) and CRS 6-09-197 for 12kV 3-Phase Service Metering on Customer-Owned Pole (Overhead Supply to Underground).

General Notes:

1. All facilities, except source side deadend assemblies and lightning arresters, are provided, installed, and maintained by customer.
2. PPL EU will make connections to source side of switch and all connections to the system neutral. Customer must make all grounding connections using compression connectors and all primary connections using cable-to-flat or stem connectors as appropriate.
3. Customer to furnish and install lightning arresters on load side.
4. Ground wire from the lightning arrester cross arm to ground rod must be minimum #2 covered HDPE copper.
5. Coil approximately 6-feet of the #2/0 bare copper ground wire under platform and connect at two points. The platform should be chained to the pole to prevent removal.
6. Switch handle is to have provision for 2 locks (customer lock & PPL EU lock) so that either customer or PPL EU may operate switch independently.
7. Whenever the customer's pole must be guyed to offset the pull of PPL EU's service drop or the customer's distribution wires, the guy(s) is provided, installed, and maintained by the customer. If guying is necessary to offset tension from PPL EU's service drop, PPL EU will provide specifications for guy wire rod size and lead length. A strain insulator must be installed at the pole end of the guy wire.
8. Minimum clearance required between primary conductor and bare guy is 7". Minimum clearance required between primary conductor and guy insulator is 5-1/4".
9. Ground bare guy to a multi-grounded system neutral or to a pole ground wire that is connected to a multi-grounded system neutral.
10. Point of Contact (POC) is contained in the PPL EU document "Point of Contact Requirements for High Voltage Customer-Owned Facilities 12kV Supply."



Metering
Customer Reference Specification
12kV 3-Phase Service Interrupter
Switch on Customer-Owned Pole
6-09-194

0000-000-ST-6009
 Custom ID: DCS 6-09
 Revision: 04
 Effective Date: 01/16/2017
 Page 15 of 57

11. Customer Main Switch shall meet the following criteria:

- a. Incorporate a three-pole, gang-operated loadbreak design
- b. Rated for minimum 14.4kV
- c. Minimum 110 kV BIL
- d. Minimum 600A continuous and interrupting current
- e. Have a visual break when switch is in the open position
- f. Operable from ground level. Operating handle should be 42" from ground level
- g. Fuses holder and fuses are not required

Item	Qty.	Bill of Material	CID No. or Drawing No.	
Material Supplied by PPL				
1	3	Deadend assembly, 12 KV	6-13-18	
	*	Ft wire, #2 Cu (minimum) SD solid, bare, with connectors as required	147476	
2	1	Deadend assembly, neutral	6-13-18	
3	3	Bracket, crossarm mounting	139506	
	3	Arrester, lightning	139110	
	*	Feet wire, #6 Cu, bare (hot leads)	147474	
	3	Connector, hot line, aluminum, #6 - #4/0		1021522
		Connector, hot line, aluminum, #2-556 kcmil		912529
	3	Connector, compression	6-12-11	
*	Ft wire, #6 Cu, HDPE (for grounds)	147484		
Material Supplied by Customer				
4	1	Pole, (class 3 min) length as specified (35' min)		
5	*	Crossarm, wood, 3-1/2" x 4-1/2" x 8' long		
	*	Bolt, double arming, 5/8" x length to suit, galvanized		
	*	Bolt, machine, 5/8" x length to suit, galvanized		
	*	Washer, 2-1/4" square for 5/8" bolt galvanized		
	*	Brace, crossarm, flat, 28" long, galvanized		
	*	Screw, lag, 1/2" x 4" long, galvanized		
	3	Bolt, carriage, 3/8" x 5" long, galvanized		
	*	Gain, pole		
6	3	Deadend assembly, 12 KV		
7	3	Bracket, for lightning arresters	(Note 3)	
	3	Arrester, lightning, for 12 KV, 4 wire system		
	*	Ft wire, #6 HDPE Cu, bare and connectors as required		
8	1	Deadend assembly, neutral		
9	*	Ft wire, #6 HDPE Cu, and connectors as required		
10	*	Ft wire, #2 HDPE Cu	(Note 4)	
	*	Connectors as required		

* As required



**Metering
Customer Reference Specification
12kV 3-Phase Service Interrupter
Switch on Customer-Owned Pole
6-09-194**

0000-000-ST-6009
Custom ID: DCS 6-09
Revision: 04
Effective Date: 01/16/2017
Page 16 of 57

Item	Qty.	Bill of Material	CID No. or Drawing No.
Material Supplied by Customer			
11	6	Pin, insulator, steel, wood mounting	
	6	Insulator, pin type, 12 kV	
	*	Ft wire, #6 Cu, bare, self-drawn, tie	
12	*	Ft wire, #2 Cu (minimum), strand, bare	
	12	Connectors as required	
13	1	Rod, ground, 1/2" diameter x 8' long, steel, copper clad	
14	*	Ft wire, #2/0 Cu, XLP Insulation, stranded	
	*	Connectors as required	
15	1	Customer Main Switch	(Note 11)
16	1	Grounded platform, 3' x 5'	LB-12669 Note 5
17	1	Guy wire	(Note 7)
	2	Grip, guy, preformed	
	1	Plate, pole eye for fiberglass guy insulator	
	1	Insulator, guy, fiberglass 75	
	2	Bolt, stud, length to suit	
	2	Washer, curved	
	2	Nut, ferrous, locking	
	1	Anchor rod	
	1	Guard, guy, yellow plastic, 8' long	

* As required

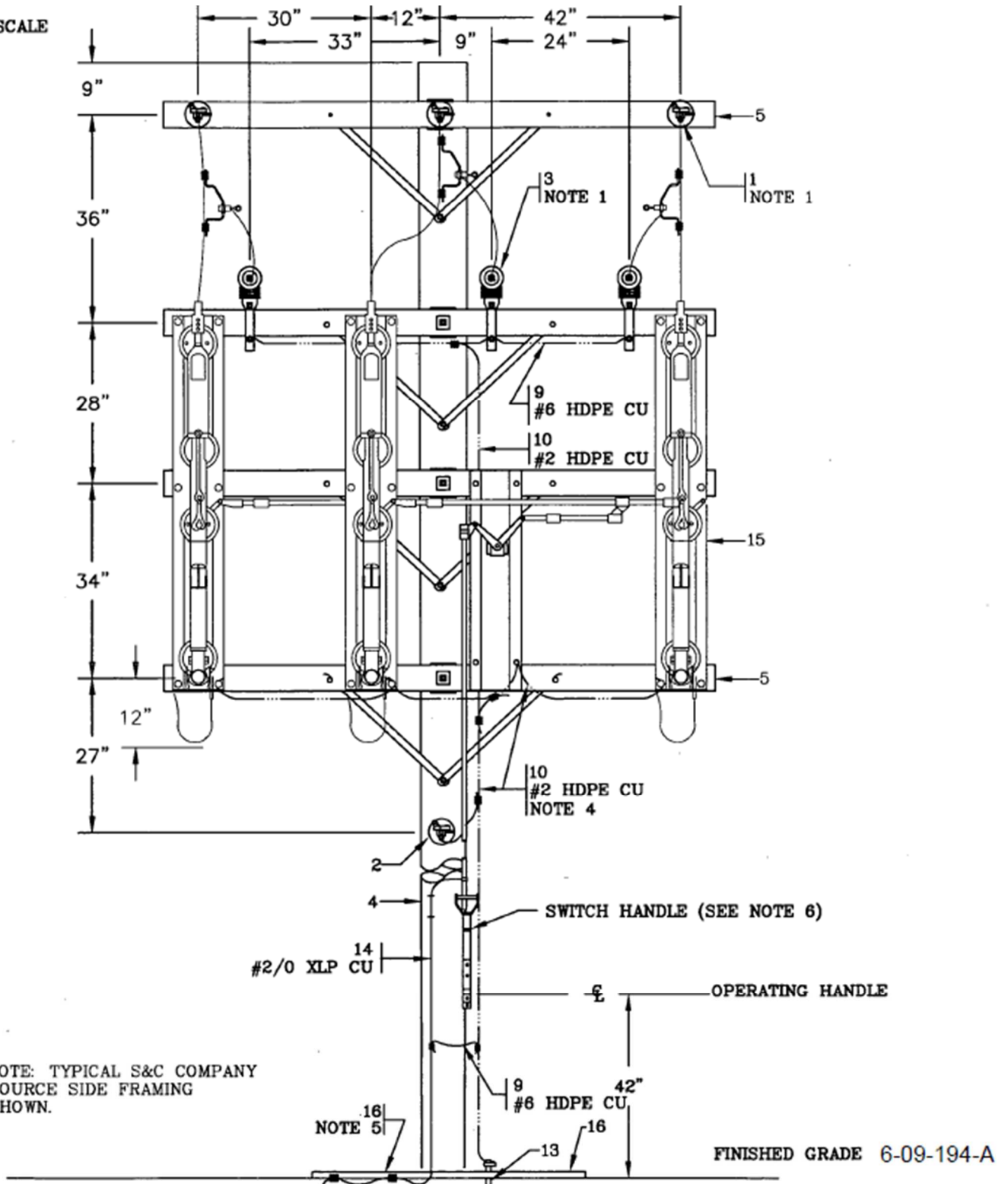


PPL Electric Utilities

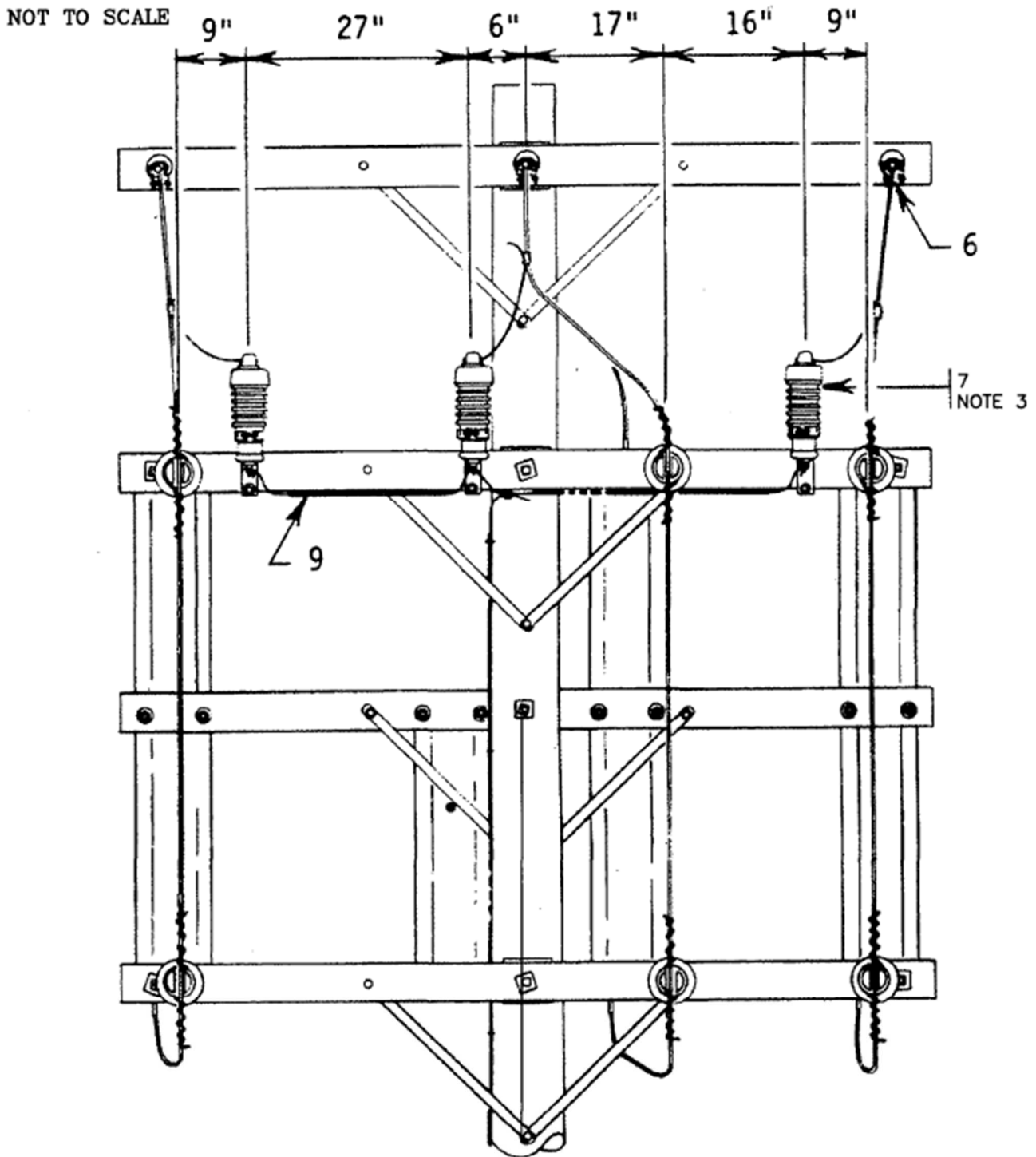
Metering Customer Reference Specification 12kV 3-Phase Service Interrupter Switch on Customer-Owned Pole 6-09-194

0000-000-ST-6009
Custom ID: DCS 6-09
Revision: 04
Effective Date: 01/16/2017
Page 17 of 57

NOT TO SCALE



*NOTE: TYPICAL S&C COMPANY
SOURCE SIDE FRAMING
SHOWN.



TYPICAL SWITCH FRAMING (LOAD SIDE) 6-09-194-C