

6-09-100	12 kV 3-PHASE SERVICE – ELECTRONIC CONTROLLED RECLOSER ON CUSTOMER OWNED POLE	6-09-100
Sheet 1	OVERHEAD SUPPLY TO OVERHEAD CUSTOMER REFERENCE SPECIFICATION	Sheet 1

OVERHEAD SUPPLY TO OVERHEAD

This specification defines the customer's responsibilities and requirements necessary for the installation of an electronic controlled recloser on a customer owned pole for 12 kV three-phase service overhead supply to overhead. All details of this specification must be strictly followed.

The pole location and equipment installation must be approved by the PPL Supervisor - Metering Services and the Field Service Design Supervisor. Any deviation from this specification must be approved. Unapproved deviations are usually costly for the customer to correct and can result in delays or possible refusal to connect service.

DISTRIBUTION CONSTRUCTION SPECIFICATIONS PPL ELECTRIC UTILITIES CORPORATION	Issue Date: <u>06/25/08</u> Typist: <u>SLF</u> Drafter: _____ Sponsor: <u>Jm2</u> Approved: <u>Mark R Bemmer</u> Manager – Distribution Maintenance
--	--

6-09-100	12 kV 3-PHASE SERVICE – ELECTRONIC CONTROLLED RECLOSER ON CUSTOMER OWNED POLE	6-09-100
Sheet 2	OVERHEAD SUPPLY TO OVERHEAD CUSTOMER REFERENCE SPECIFICATION	Sheet 2

Notes:

1. Potential Transformer (PT) is source power for electronic control. No other load to be served from this source.
2. Recommended PT rating is 1 kVA and must be of dry-type (no oil).
3. PT can be connected phase-phase or phase-ground. Length of primary leads shall be kept to a minimum, have wildlife protection and safe clearances from PT's secondary conductors.
4. Recloser pole shall have phase and neutral conductors sagged at reduced tension or "slack span" since pole will be unguyed.
5. Size and class of pole must be a minimum height of 40 feet and a class of no greater than 4.
6. Electronic control shall have a customer provided dual locking means to provide PPL access.

DISTRIBUTION CONSTRUCTION SPECIFICATIONS PPL ELECTRIC UTILITIES CORPORATION	Issue Date: <u>6/25/03</u> Typist: <u>SLF</u> Drafter: _____ Sponsor: <u>JM</u> Approved: <u>Mark C. Bennis</u> Manager – Distribution Maintenance
--	---

6-09-100	12 kV 3-PHASE SERVICE – ELECTRONIC CONTROLLED RECLOSER ON CUSTOMER OWNED POLE OVERHEAD SUPPLY TO OVERHEAD CUSTOMER REFERENCE SPECIFICATION	6-09-100
Sheet 3		Sheet 3

Item	Qty.	BILL OF MATERIAL	CID No. or Drawing No.
MATERIALS SUPPLIED AND INSTALLED BY PPL			
1	3	Deadend assembly	6-13-18
2	3	Connector, T-tap lug, NEMA 2-hole	6-12-42, sh. 2
3	1	Neutral deadend assembly	6-13-18
4	3	Arrester, lightning, for 12 kV 4-wire system	139110
	3	Connector, cable-to-flat, for #6 solid copper	110345
	*	Wire, covered, #6 solid copper HDPE SD	147484
	*	Wire, bare, #6 solid copper SD	147474
MATERIALS SUPPLIED AND INSTALLED BY CUSTOMER			
5	1	Wood double crossarm, 3-1/2" x 4-1/2" or equivalent	—
6	1	Wood single crossarm, 3-1/2" x 4-1/2" or equivalent	—
7	3	Disconnect switch, loadbreak, 12 kV	—
	3	Bracket, crossarm mounting for switch	—
8	1	Recloser, electronic	—
9	1	Electronic control for recloser	—
10	3	Arrester, lightning, 4-wire, 12 kV system	—
11	*	Cable, control	—
12	3	Clamp, neutral deadend assembly	—
13	45	Cable, copper, #4/0 stranded soft drawn	—
14	6	Connector, stem type for #4/0 copper	—
15	A	6 Connector, terminal, cable-to-flat - #4/0 copper	—
	B	6 Connector, T-tap lug, NEMA, 2-hole	—
16	10	Wire, copper, bare, S.D., strd., #2/0 for recloser	—
17	*	Connector, compression	—
18	60	Wire, covered, #6 CU HDPE for grounding	—
	*	Connector, compression	—
	*	Staples, for #6 CU HDPE wire	—

* As required

DISTRIBUTION CONSTRUCTION SPECIFICATIONS PPL ELECTRIC UTILITIES CORPORATION	Issue Date: <u>6/25/06</u> Typist: <u>SLF</u> Drafter: _____ Sponsor: <u>122</u> Approved: <u>Mark R. Bemer</u> Manager – Distribution Maintenance
--	---

6-09-100	12 kV 3-PHASE SERVICE – ELECTRONIC CONTROLLED RECLOSER ON CUSTOMER OWNED POLE OVERHEAD SUPPLY TO OVERHEAD CUSTOMER REFERENCE SPECIFICATION	6-09-100
Sheet 4		Sheet 4

Item	Qty.	BILL OF MATERIAL	CID No. or Drawing No.
MATERIALS SUPPLIED AND INSTALLED BY CUSTOMER			
19	6	Connector, cable-to-flat, for #6 bare CU	—
20	20	Wire, copper, bare or covered, soft drawn #6 CU – for arresters	—
21	8	Molding, plastic 3/4" slot for PT and control	—
	*	Staples, for plastic molding	—
22	1	Rod, ground, 1/2", 8 ft steel/copper	—
	1	Connector, parallel groove, copper	—
23	1	Pin, insulator, steel, 1" thread, lag screw	—
	1	Insulator, pin type, 1" thread	—
	1	Tie, line, plastic, formed	—
24	1	Pole, size & class per customer	—
25	1	Potential transformer, 1 kVA dry type	—
26	1	Pad lock	—
27	3	Deadend assembly	—

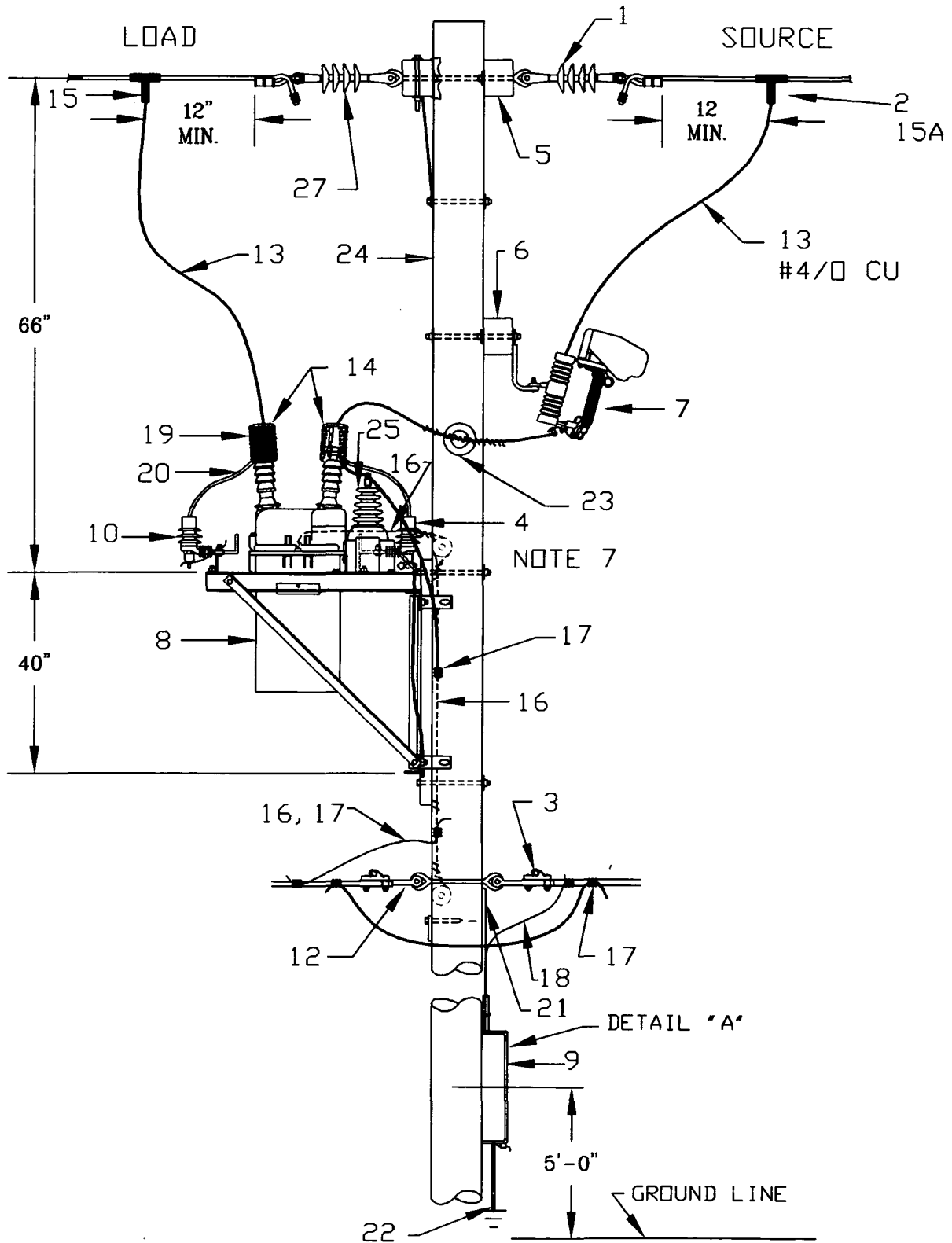
* As required

DISTRIBUTION CONSTRUCTION SPECIFICATIONS PPL ELECTRIC UTILITIES CORPORATION	Issue Date: <u>6/25/09</u> Typist: <u>SLF</u> Drafter: _____
	Sponsor: _____ Approved: <u>Mark P. Bernier</u> Manager – Distribution Maintenance

**12KV 3 PHASE SERVICE-ELECTRONIC CONTROLLED RECLOSER
ON CUSTOMER OWNED POLE
OVERHEAD SUPPLY TO OVERHEAD
CUSTOMER REFERENCE SPECIFICATION**

6-09-100
SHEET 5

6-09-100
SHEET 5

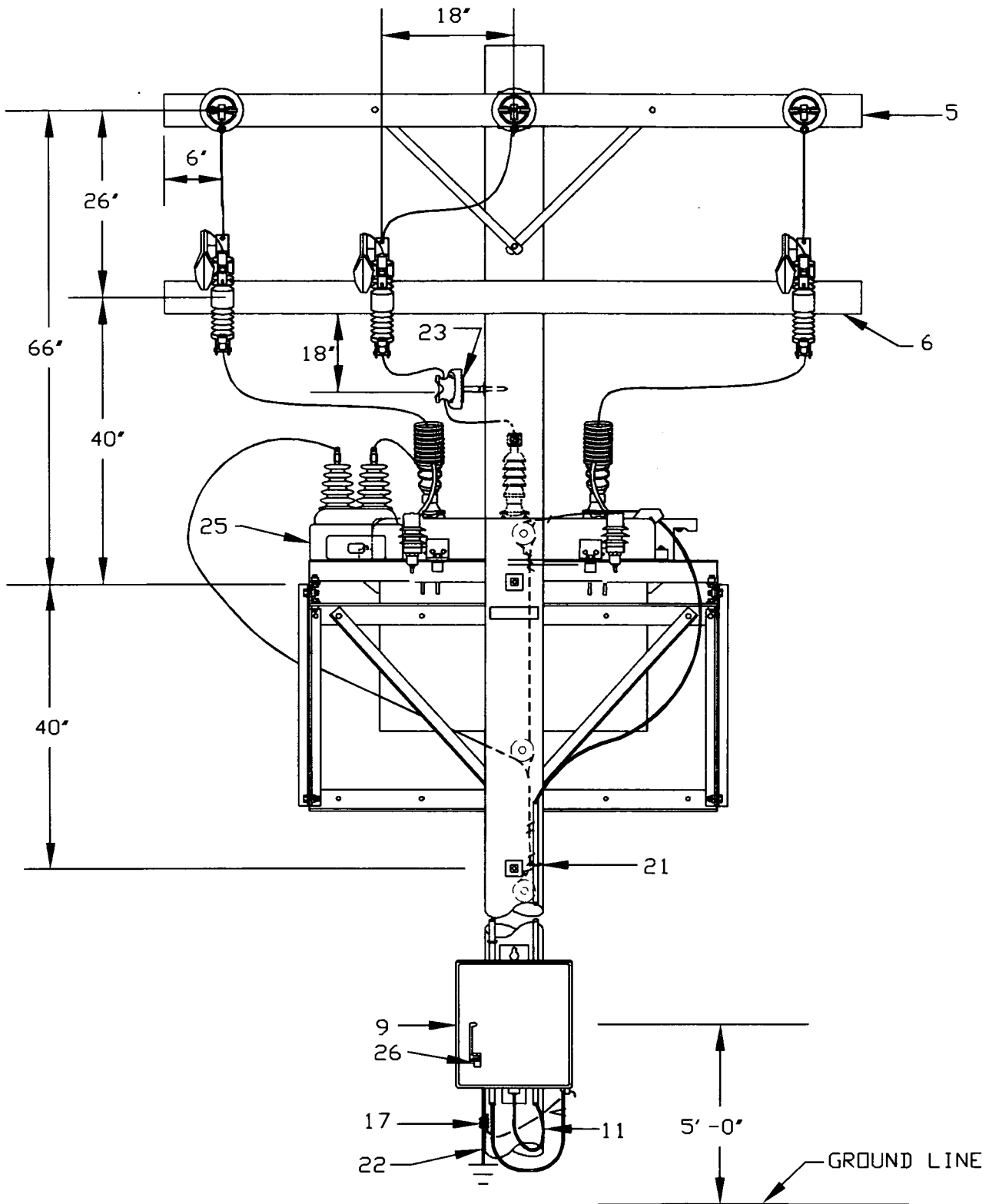


DISTRIBUTION CONSTRUCTION SPECIFICATIONS PPL ELECTRIC UTILITIES CORPORATION	Date: <u>6/25/03</u> Drafter: <u>RRC</u>
	Sponsor: <u>[Signature]</u>
	Approved: <u>[Signature]</u> Manager - Distribution Maintenance

**12KV 3 PHASE SERVICE-ELECTRONIC CONTROLLED RECLOSER
ON CUSTOMER OWNED POLE
OVERHEAD SUPPLY TO OVERHEAD
CUSTOMER REFERENCE SPECIFICATION**

6-09-100
SHEET 6

6-09-100
SHEET 6



DISTRIBUTION CONSTRUCTION SPECIFICATIONS
PPL ELECTRIC UTILITIES CORPORATION

Date: 6/25/04 Drafter: RRC
Sponsor: JM2
Approved: M. R. Berny
Manager - Distribution Maintenance